

# SleepSafe Hi Lo (Low Bed)

## Assembly Instructions

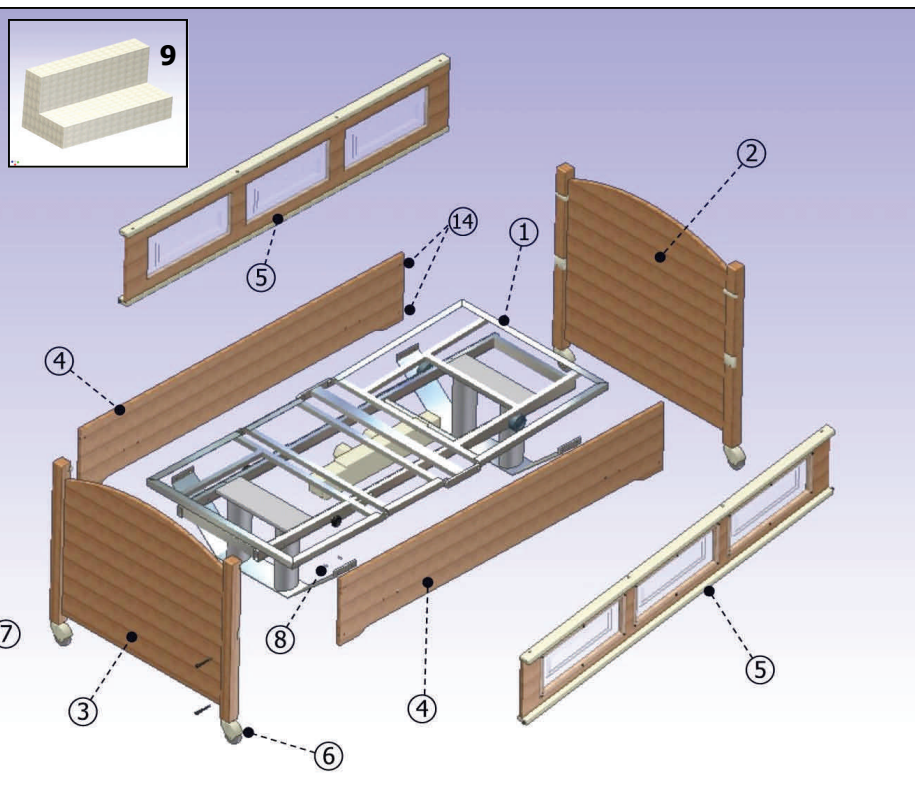
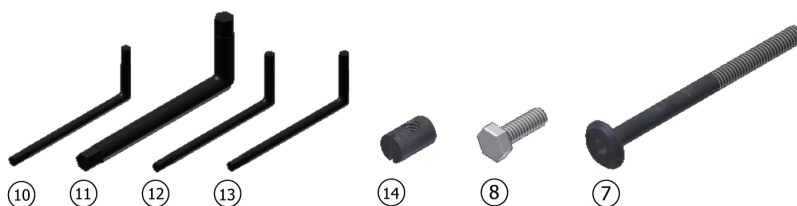


3135 Dillons Mill Road • Callaway, VA 24067  
 Toll Free • 866.852.2337 Fax • 540.334.2100  
[www.sleepsafebed.com](http://www.sleepsafebed.com)

Thank you for purchasing the SleepSafe Hi Lo Safety Bed. With proper care, your bed will provide years of safe use. We strongly recommend that this bed be assembled using two people. Everything necessary to assemble your bed is included in a special box marked "Additional Parts Inside" which is located in the box containing the headboard and footboard. Carefully unpack the contents of your bed and verify that all parts are included using the diagram and chart below. **Be sure to save two of the foam shipping blocks used to package the electric frame. They will be needed to aid in assembly of your bed.**

### Parts List

Item	Qty	Description
1	1	Electric Frame Assembly
2	1	Headboard Assembly
3	1	Footboard Assembly
4	2	Side Panels
5	2	Safety Rails
6	4	Casters
7	8	90mm Allen Bolts
8	8	1" Hex Bolts
9	4	Foam Shipping Block
10	1	4mm Allen Wrench
11	1	1/4" Allen Wrench
12	1	#15 Torx Wrench
13	1	#10 Torx Wrench
14	8	Barrel Nuts



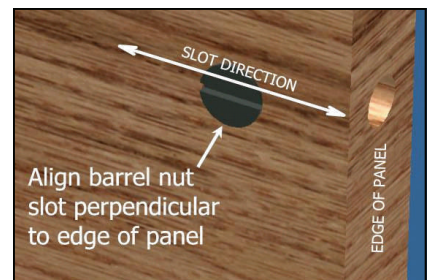
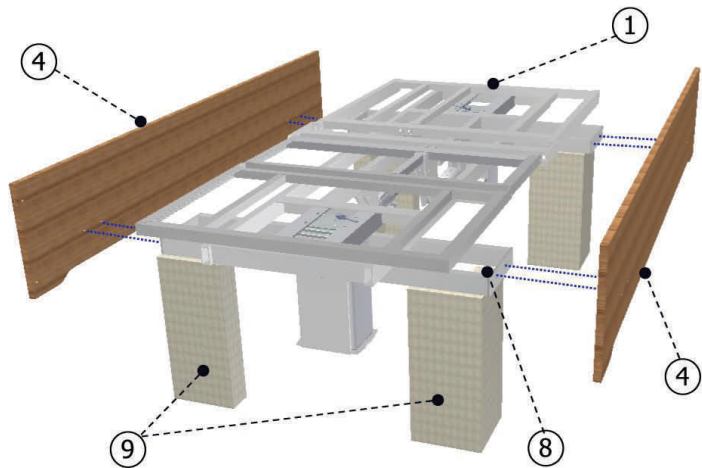
**Note:** For clarity, all diagrams shown in these instructions show decking removed from electric frames.

**PLEASE CHECK ALL BOXES FOR HARDWARE BEFORE DISCARDING  
 DO NOT DISCARD FOAM BLOCKS WHICH ARE REQUIRED FOR ASSEMBLY**

WARRANTY AND USER INFORMATION CAN BE FOUND AT THE END OF THESE INSTRUCTIONS

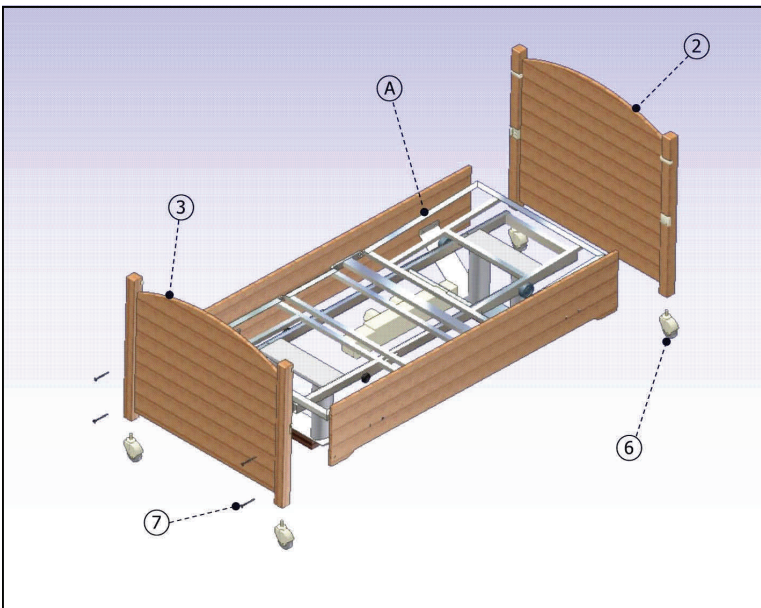
### STEP 1

Set electric frame (#1) upright with foam spacer blocks (#9) underneath each corner of the mounting brackets as shown. Using the 8 silver hex bolts (#8), attach side panels (#4) to brackets on frame. Do not tighten bolts completely. (This allows freedom of movement for alignment purposes in Step 2 below) Unstrap the handset control from the frame and set it out of the way.



### STEP 2

Insert 8 barrel nuts (#14) into the holes at the end of each side panel. Install headboard (#2) and footboard (#3) to side panels using the 8 long allen bolts (#7) provided. Make sure that the barrel nuts in the panels face the interior of the bed. The headboard and footboard will be elevated off the floor when installed. Tighten the allen bolts using the 4mm allen wrench (#10) provided in your hardware kit. Now, check the alignment of the decking on the electric frame at the headboard and footboard ends. Even up the spacing and tighten the 8 hex bolts connecting the side panels to the frame installed during step 1 above.

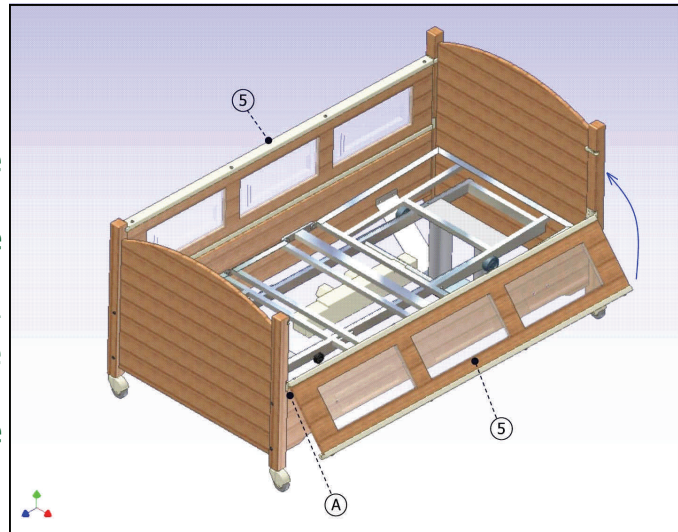


Install the 4 casters (#6) into the holes in the bottom of the headboard and footboard legs. You may now remove the foam spacers from underneath the frame.

**NOTE: Be sure to install headboard (larger panel) to the headboard end of electric frame as noted in "A" above.**

### STEP 3

Install the safety rails (#5) by inserting the black heck bolt pivot pins into the lower plastic strikes installed on each leg as indicated by "A" in the diagram. The rails can then be tilted up into the locked position. The safety rails should be installed so that the "clean" side of the rails face the occupant of the bed when closed. (Screws will be visible from the outside)



**ALWAYS REMOVE AND INSTALL SAFETY RAILS WHILE THEY ARE IN THE LOWERED POSITION**

**ALWAYS CHECK TO MAKE SURE THAT THE BRASS PINS ARE LOCKED IN PLACE TO PREVENT THE SAFETY RAIL FROM OPENING UNINTENTIONALLY**

### NOTE CONCERNING BEDS WITH INSTALLED PADDING

If your bed was shipped with padding installed, you will note that it is attached using Velcro to allow for easy removal for cleaning. If you remove the padding for any reason, it is important that it be re-installed before the bed is occupied. The reason for this is that, with the padding installed, there is virtually no space around the perimeter of the mattress, greatly reducing the risk of entrapment. With any padding removed, however, a space is created between the mattress and bed increasing the entrapment risk. Always keep the full padding installed, even if it is not required by the occupant of the bed.

Conversion kits are available to install or remove padding.

### SAFETY RAIL ADJUSTMENT

Each safety rail is pre-adjusted at our factory, but it may become necessary to adjust the safety rail height over time to provide the best performance. To determine if your safety rails need adjustment, look at each brass locking pin when the safety rail is in the locked position as indicated by "A" in Fig. 1. The pin should be centered in the hole of the strike. If it is not, note which way the rail needs to move, then remove the safety rail. Use the #15 torx wrench to remove the lower plastic strike from the leg. Turn the set screw by inserting the #10 torx wrench as shown in Fig. 2. Adjust the screw up or down depending on which way the safety rail should move. Reinstall the strike and safety rail and check the fit. Repeat as necessary.

If the safety rail has movement from side to side when it is installed, you may adjust that fit as well. With the safety rail in the locked position, check the spacing between the end of the safety rail and the headboard leg and footboard leg. The spacing should be even, with little side to side play in the safety rail. If there is play, simply remove the safety rail and turn the black hex bolt using the 1/4" hex wrench provided (#10). Referring to Fig. 3 below, turning the bolt in the direction of "A" will increase the play in the rail while turning the bolt in the direction of "B" will decrease the play in the rail. It is best to adjust each side a little at a time until the desired fit is reached.

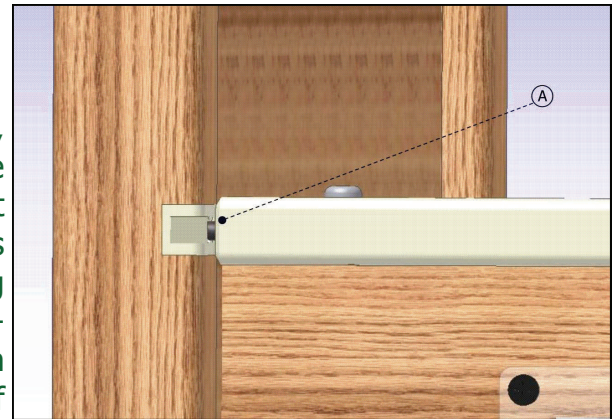


Fig. 1

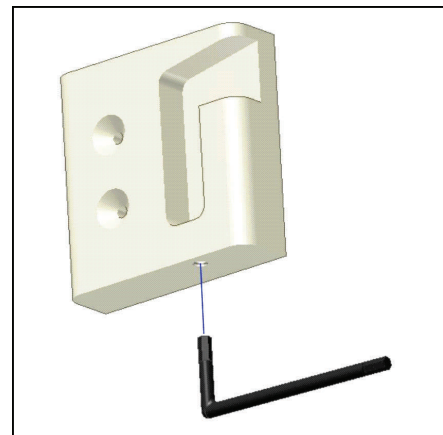


Fig. 2

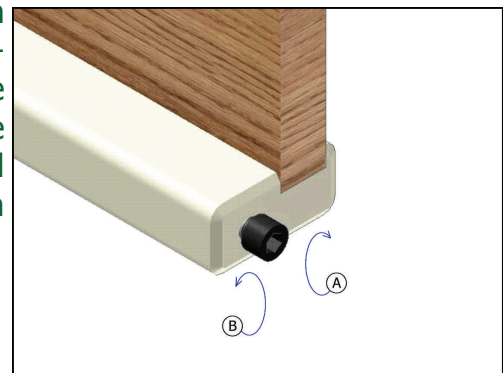


Fig. 3

# SleepSafe Hi Lo (Low Bed)



## Use & Care Guide

### Operation

Plug in your new electric frame into a standard wall outlet. The electric frame is operated using a corded handset. Fig. 1 at right shows the basic operation of all functions on your handset. You'll note also that a lockout key is provided (attached to the cord). This key can be used to lock and unlock each individual bed function. When locking a function on the handset with the provided key, be sure to use light pressure when twisting the key. The amount of turn necessary to lock and unlock the feature is small, so take care not to break the key or damage the handset.

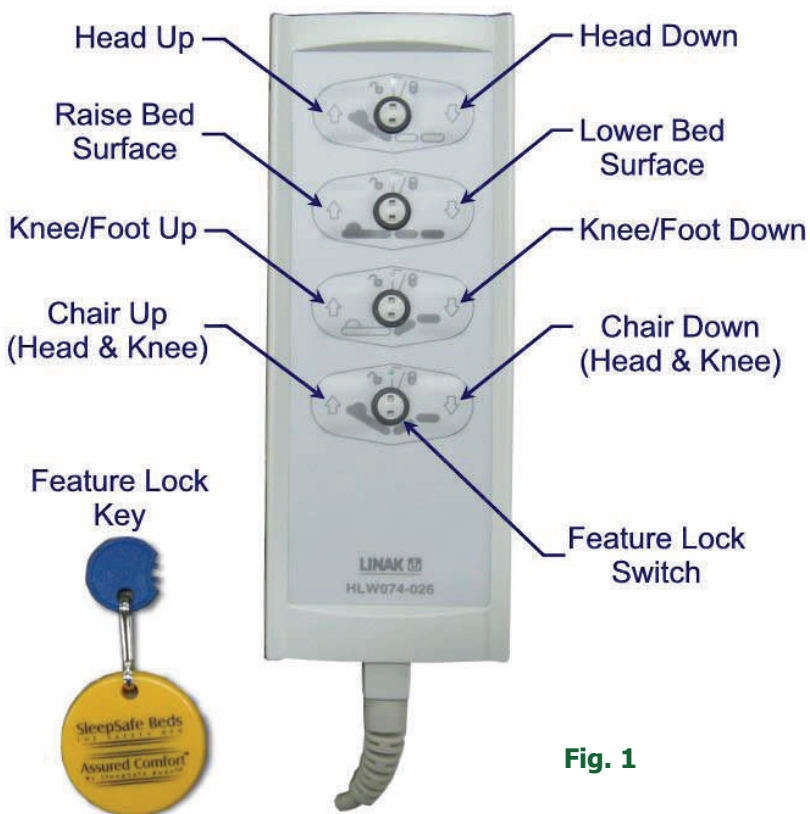


Fig. 1

### Maintenance

Periodic checks of the tightness of all fasteners is recommended for product stability and safety. Be sure to retain these instructions as well as the tools provided in the event that any minor adjustments should be required in the future.

All bed surfaces should be cleaned with water and mild detergent using a soft cloth. Avoid abrasives and solvents.

# SleepSafe Hi Lo *(Low Bed)*

---

## Warranty Information



3135 Dillons Mill Road • Callaway, VA 24067  
Toll Free • 866.852.2337 Fax • 540.334.2100  
[www.sleepsafebed.com](http://www.sleepsafebed.com)

### **Attention**

Safety rails are intended to hinder or discourage the possibility of roll-out. This product does not take the place of proper client supervision and monitoring. Any modification to the product or its components will void the warranty and render the product incapable of fulfilling its intended purpose.

### **Warranty**

#### **Full One-Year Warranty**

The SleepSafe™ Bed is warranted against defects in workmanship or materials for a period of one year from the date of purchase. Sleep Safe Beds, LLC will repair or replace any defective part at no cost to the purchaser

#### **Limited Five-Year Warranty**

During the second through fifth years from the date of purchase, Sleep Safe Beds, LLC will replace any part found to be defective. Purchaser shall pay all service and shipping costs related to the replacement of the defective part.

### **Terms and Conditions**

This warranty applies to normal use and does not cover any damage caused by normal wear, abuse, misuse, mishandling or modification of the product.