

# ASSEMBLY DETAILS

## SleepSafe® Bed Safety Rail Latch REPLACEMENT LATCH KIT



SleepSafe Beds, LLC  
3629 Reed Creek Drive  
Bassett, VA 24055

Toll Free: 866.852.2337  
Fax: 276.627.0234  
SleepSafeBed.com  
sleepsafesbed@sleepsafesbed.com

This kit is for installing replacement safety rail latches.

*Kit includes:* 4 springs; 4 bronze pins; 4 stainless steel pins;

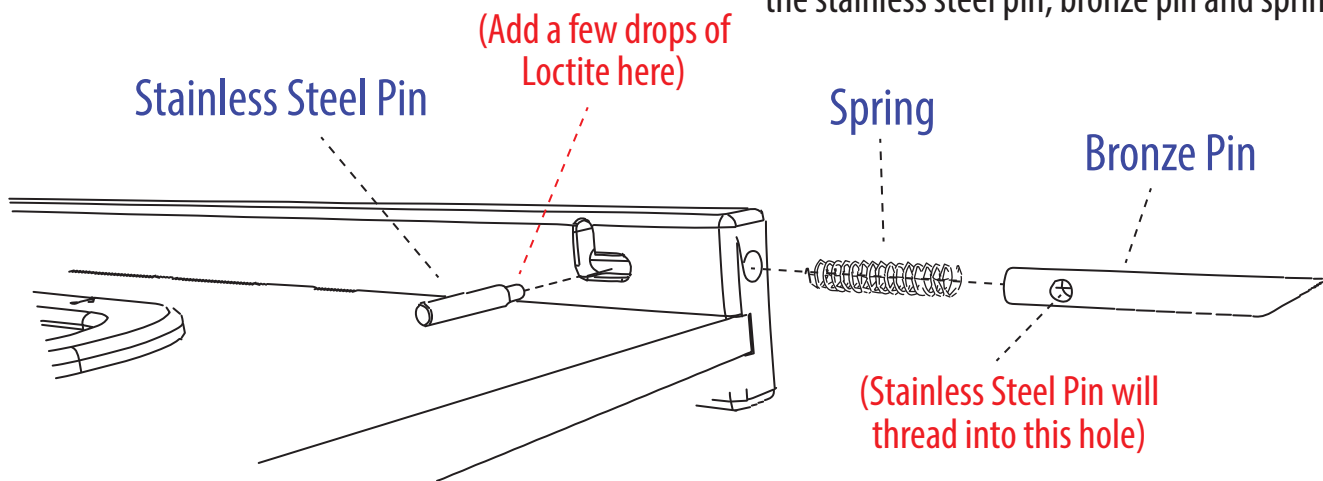
1 tube of Loctite® thread locking compound.

*Tools needed:* Standard size pliers

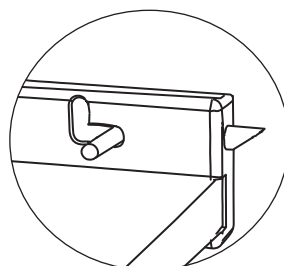
- 1 REMOVE SAFETY RAIL FROM BED**  
Lay it down so the latch side is facing up.

### REMOVE DEFECTIVE LATCH

Use pliers to rotate the stainless steel pin counterclockwise. When you are finished, remove the stainless steel pin, bronze pin and spring.



- 2 INSTALL SPRING AND BRONZE PIN**  
Insert spring followed by the bronze pin leaving the beveled edge of the bronze pin sticking out of the hole and facing down.



- 3 ADD LOCTITE® TO STAINLESS STEEL PIN. INSERT AND THREAD INTO BRONZE PIN.**  
Drop a few drops of Loctite onto the threads of the stainless steel pin. Insert pin into the hole and thread to the bronze pin using your fingers. Finish tightening with pliers.