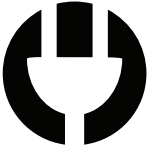


DISASSEMBLY GUIDE

Moving Instructions

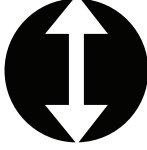
ALL FOUNDATIONS



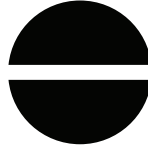
ELECTRIC



ARTICULATION



HI-LO

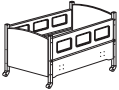


FIXED

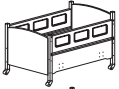


MANUAL

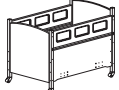
This guide outlines the basic instructions for disassembling and moving SleepSafe® Bed models.



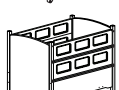
SleepSafe® (BASIC)



SleepSafe® (Low Bed)

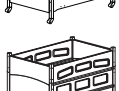


SleepSafe® II (Medium Bed)



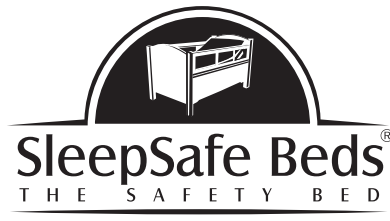
SleepSafer® (Tall Bed)

· Dual View



SleepSafer® Extension Bed

· Dual View · with Extension Top



SleepSafeBed.com | 866.852.2337

3629 Reed Creek Drive | Bassett, VA 24055 | FDA Registered

Table of Contents

- 1 Disassembly Information
- 2-3 Disassembly Guide: SleepSafe BASIC & Low Bed; SleepSafe II Medium Bed
- 4-5 Disassembly Guide: SleepSafer Tall Bed
SleepSafer Tall Bed Dual View
- 6 Disassembly Guide:
Extension Bed / Top
- 7 Safety Rail Adjustment Instructions
- 8 Popular FAQ's / Maintenance
- 9 DME Provider / Technical Support

DO YOU NEED THE FOLLOWING MATERIALS TO PREPARE FOR YOUR MOVE?

- **Cardboard Lifts**
- **Hardware Kit**

**AVAILABLE FOR PURCHASE!
CALL CUSTOMER SERVICE AT
866.852.2337**

This guide is available as a PDF. Contact Customer Service at 866.852.2337 for more information.



ALL FOUNDATIONS

Tools Needed for Disassembly



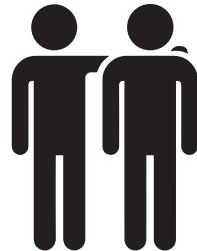
4mm Allen Wrench
T10 Torx Wrench with Square Bit
1/4" Allen Wrench
(Included in the Hardware Kit)



Flat and Phillips Head
Screwdrivers



3/8" Open or Closed
End Wrench



Two People for Disassembly

Attention! Read Before Disassembly

- **KEEP THIS DISASSEMBLY GUIDE.**

IT MAY BE HELPFULL FOR FUTURE MOVES.

- **CAREFULLY PLAN DISASSEMBLY.**

FAMILIARIZE YOURSELF WITH BED COMPONENTS IN THIS GUIDE.

- **WHEN DISASSEMBLING, KEEP HARDWARE**

ALL TOGETHER IN A SEPARATE BAG. THE HARDWARE LIST CAN BE FOUND ON THE ORIGINAL ASSEMBLY GUIDE.

- **USE THE FOUR CARDBOARD LIFTS FROM**

ORIGINAL PACKAGING, OR FOUR SIMILAR SUPPORTS, FOR DISASSEMBLY.

DUE TO THE PRESENCE OF SMALL PARTS DURING DISASSEMBLY, KEEP THE PARTS OUT OF THE REACH OF CHILDREN.

- **IMPORTANT: FOLLOW THE INSTRUCTIONS**

IN THE SPECIFIED ORDER TO ENSURE THE BED IS PROPERLY DISASSEMBLED.

- **COMPLETE REASSEMBLY.** ENSURE EACH

COMPONENT IS INSTALLED. DO NOT OMIT ANY COMPONENT FROM INSTALLATION.

- **NEVER USE THIS BED IF THERE ARE ANY**

MISSING FASTENERS, LOOSE JOINTS, BROKEN PARTS, TORN MESH, OR PADDING INADEQUACIES. CONTACT SLEEPSAFE BEDS AT 866.852.2337 FOR ASSISTANCE.

- **NEVER SUBSTITUTE OR ALTER PARTS**, THE PRODUCT INCLUDING SIDE RAILS, MUST BE FULLY INSTALLED PRIOR TO USE.

- **IF BED IS PADDED**, CHECK THAT ALL PADDING IS FIRMLY ATTACHED.

- **DO NOT USE POWER TOOLS** DURING ASSEMBLY OR DISASSEMBLY.

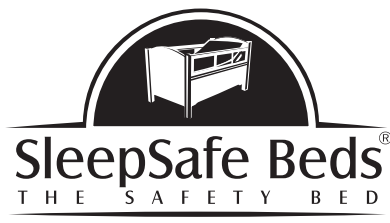
- **WARNING STRANGULATION HAZARD:** STRINGS CAN CAUSE STRANGULATION! NEVER PLACE BED NEAR WINDOW WHERE CORDS FROM BLINDS OR DRAPES MAY STRANGLE A CHILD.

- **KEEP REMOTE CONTROL CORD AWAY** FROM BED WHILE MOVING THE SAFETY RAIL UP OR DOWN TO PREVENT PINCHING OF THE CORD.

- **KEEP REMOTE CONTROL CORD AWAY** FROM BED'S INTERIOR TO PREVENT ENTANGLEMENT AND STRANGULATION

- AN UNINTERRUPTED POWER SUPPLY (UPS) UNIT IS RECOMMENDED FOR MISSION CRITICAL CONTROL OF BED FOR USER

- **DO NOT SUBSTITUTE MATTRESS.** IT IS SPECIFICALLY DESIGNED AND FITTED FOR A SLEEPSAFE® BED AND ITS USER.



SleepSafeBed.com | 866.852.2337

3629 Reed Creek Drive | Bassett, VA 24055 | FDA Registered

Disassembly Guide

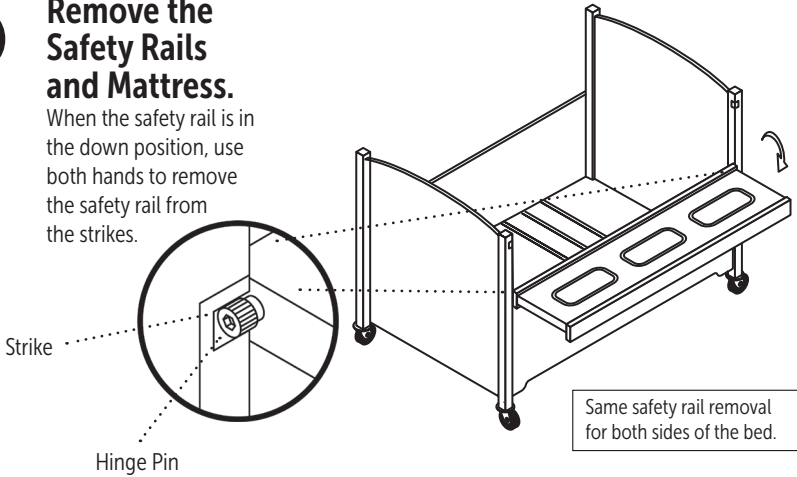
✓ SleepSafe (BASIC & Low)

✓ SleepSafe II (Medium Bed)

1

Remove the Safety Rails and Mattress.

When the safety rail is in the down position, use both hands to remove the safety rail from the strikes.



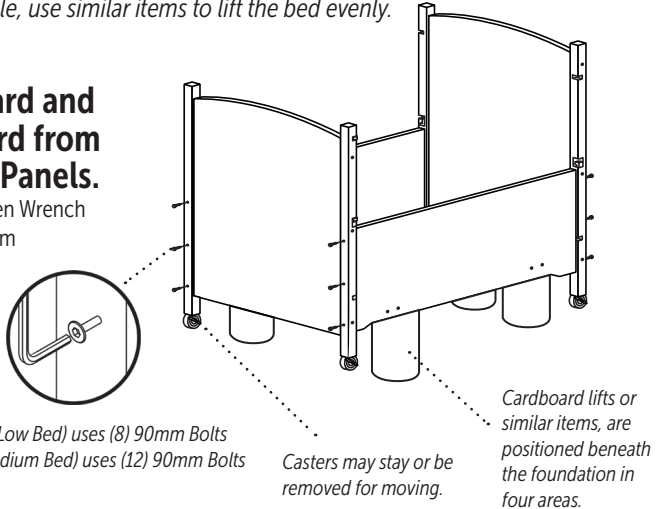
2

Use Cardboard Lifts beneath foundation to elevate bed.

If not available, use similar items to lift the bed evenly.

Detach Headboard and Footboard from the Side Panels.

(Use 4mm Allen Wrench to fasten 90mm Allen Bolts to Side Panels)



SleepSafe Bed (Low Bed) uses (8) 90mm Bolts
SleepSafe II (Medium Bed) uses (12) 90mm Bolts



ALL FOUNDATIONS



SleepSafeBed.com

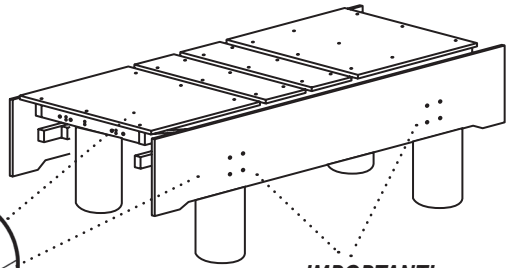
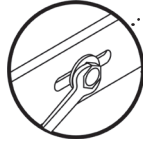
1-866-852-2337

3629 Reed Creek Dr. | Bassett, VA 24055

3

Detach Side Panels from Foundation.

(Use 3/8" wrench to remove eight 3/4" Hex Bolts from inside the panel)



You will find four Hex Bolts inside each side panel.

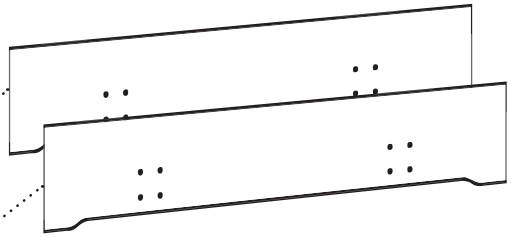
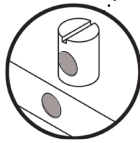
IMPORTANT!

Remember the depth setting for the mattress to floor height when reinstalling the bed. The high setting adds height.

4

Be sure all Barrel Bolts stay in place within the Side Panels.

Barrel Bolts should stay aligned as shown. Use flathead screwdriver to assist alignment in necessary.



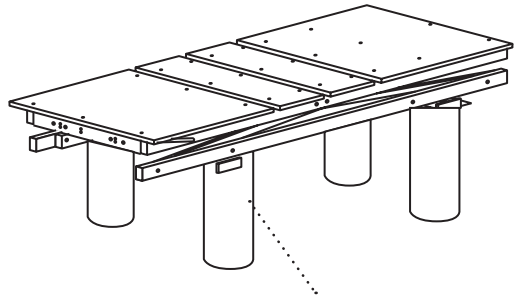
SleepSafe Bed (Low Bed) Side Panels use 8 Barrel Bolts
SleepSafe II (Medium Bed) Side Panels use 12 Barrel Bolts

5

Remove Foundation from the Lifts.

Prepare all components for moving.

When packing, be sure to protect the mechanics, wiring and electronics under the foundation.



Remove and save cardboard lifts for future use!

Before packaging, check to include all contents.

Disassembly Guide

✓ *SleepSafer (Tall Bed)*

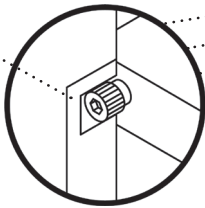
✓ *SleepSafer (Dual View)*

1

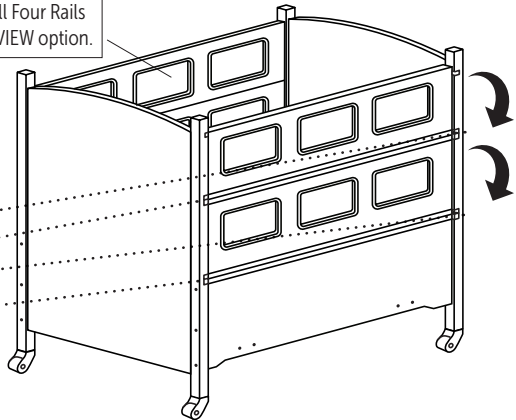
Remove Mattress and Safety Rails

Remove all Four Rails for DUAL VIEW option.

Strike



Hinge Pin



When the safety rail is in the down position, use both hands to remove the safety rail from the strikes in the posts.

Use Cardboard Lifts beneath foundation to elevate bed.

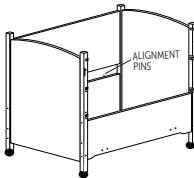
If not available, use similar items to lift the bed evenly.

2

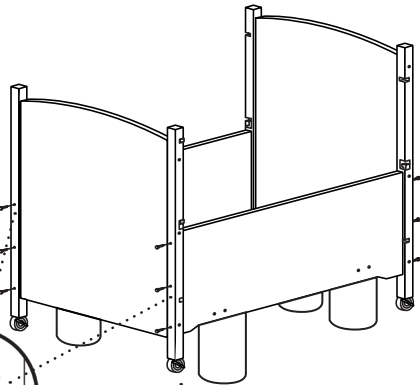
Remove Back Panel.

Remove (2) 90mm Allen Bolts from each post, then carefully remove panel from alignment pins.

NOTE: *This step not necessary for Dual View beds.*



ALIGNMENT PINS

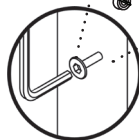


Casters are pre-installed

3

Remove Headboard and Footboard from Panels.

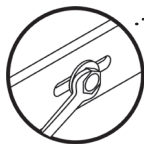
Remove (6) 90mm Allen Bolts from each panel with 4mm Allen Wrench.



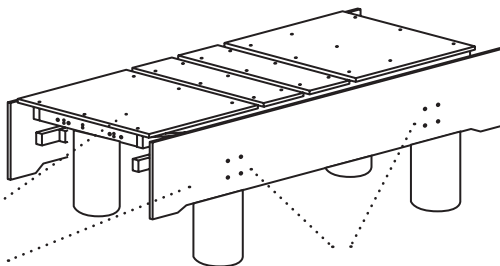
IMPORTANT: *When reinstalling the Back Panel the Barrel Bolts need to be away from the frame, toward the wall.*

3 Remove Panels from foundation.

(Use 3/8" wrench to remove eight 3/4" Hex Bolts from inside the panel)



You will find four Hex Bolts inside each side panel.

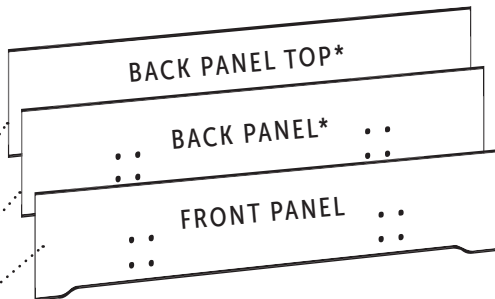
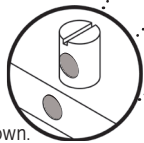


IMPORTANT!

Remember the depth setting for the mattress to floor height when reinstalling the bed. The high setting adds height.

4 Be sure all Barrel Bolts stay in place within the Side Panels.

Barrel Bolts should stay aligned as shown. Use flathead screwdriver to assist alignment in necessary.

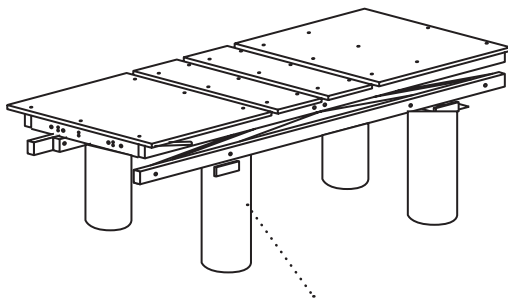


SleepSafer Bed (Tall Bed) Back Panels use 10 Barrel Bolts
SleepSafer Bed (Tall Bed) Front Panel use 6 Barrel Bolts
* Dual View Option uses 2 Front panels only. No Back Panels.

5 Remove Foundation from the Lifts.

Prepare all components for moving.

When packing, be sure to protect the mechanics, wiring and electronics under the foundation.



Remove and save cardboard lifts for future use!

Before packaging, check to include all contents.

Disassembly Guide

✓ **SleepSafer Extension Bed**
Open & Closed Extensions
(Before SleepSafer Disassembly)

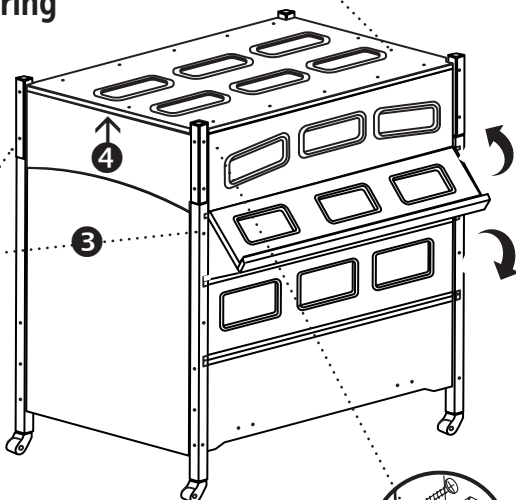
1 If Applicable, Remove Bolts Securing the Top to the Extension.

To detach and remove the Extension Top, use 4mm Allen Wrench to remove (12) 40mm Allen Bolts.



2 Remove Bolts Securing the Extension to the Bed.

Use 4mm Allen Wrench to remove (1) 90mm Allen Bolt from each bed post to detach the Extension.



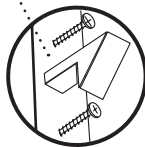
3 Loosen top bolts on all 4 bed posts.

Allows play in the frame to remove the Extension easily.

4 Remove the Extension.

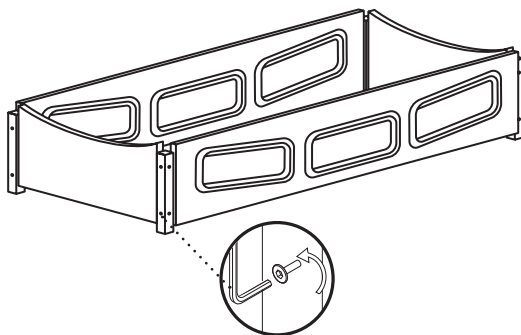
Place it evenly on the ground for further disassembly.

Remove the Safety Latch on the Extension and install properly when the bed is relocated.



5 Detach the Extension Ends from Side Rails.

Use 4mm Allen Wrench to remove (8) 90mm bolts, 2 per post, on each side of the assembly.



ALL FOUNDATIONS



SleepSafeBed.com
1-866-852-2337

3629 Reed Creek Dr. | Bassett, VA 24055

Safety Rail Adjustment: Up and Down

1 Does the Safety Rail need adjustment?

For proper operation, the pin should be centered in the strike. If not centered, follow these steps to center the pin.

2 Remove Strike from Bed Post.

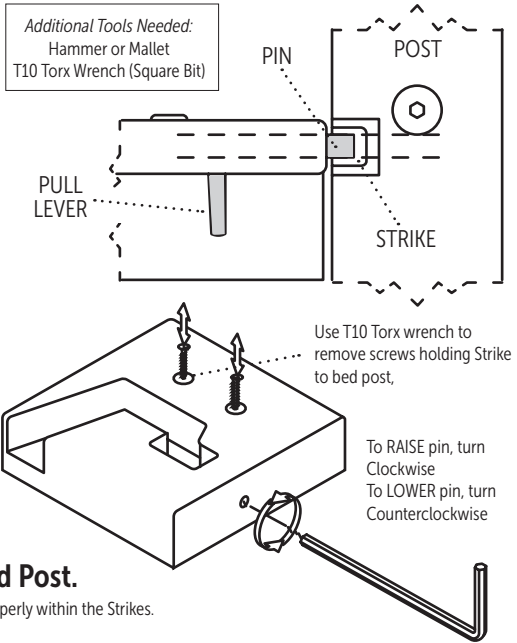
Use T10 Torx wrench to remove screws from the Strike. Gently tap the strike out of the bed post with hammer or mallet to access.

3 Adjust Set Screw.

Use Torx 10 wrench to adjust set screw. Keep in mind which direction that you need to adjust the pin. If the pin needs to be raised, turn the set screw clockwise. If the pin needs to be lowered, turn the set screw counter-clockwise.

4 Reinsert Strike into Bed Post.

Check to see if the Pins are centered properly within the Strikes.



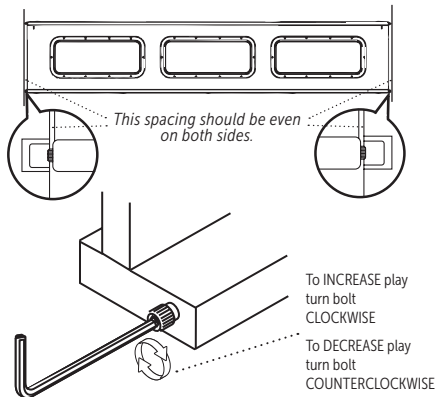
Safety Rail Adjustment: Side by Side

1 Does the Safety Rail need adjustment?

When up and secure, check the spacing between the end of the safety rail and the headboard and footboard legs. They should be spaced evenly.

2 Remove Safety Rail and adjust the play.

If spacing is not even, or there is too much side-to-side play in the rail, turn the black hex bolt using the 1/4" Allen Wrench provided.



Before packaging, check to include all contents.

Frequently Asked Questions

How do I get replacement parts? What should I do if I have a repair problem?

Please call your Durable Medical Equipment (DME) provider that helped you purchase the bed. They should be able to help with any problem you may have. If your original DME provider cannot help you with replacement parts or repair, please contact us directly at 866-852-2337 so we may assist you.

Is there a battery backup system for beds using electricity in case of a power failure?

Yes. Battery backup systems (UPS) are typically available from office supply retailers. We recommend that you purchase a UPS battery back up unit such as APC's ES 750. This unit will give enough power to operate the bed for a limited time. This unit has 6 battery powered outlets to provide power for other devices as well.

My child's medical needs have changed. Can I change the foundation?

Yes. Most SleepSafe® Bed foundations can be converted to another bed. To convert a SleepSafe Bed foundation, you will need to purchase a Conversion Kit from SleepSafe® Beds. Insurance may or may not cover the additional cost of the conversion kit. It may be necessary to submit another letter of medical necessity justifying the change. You will need to make the purchase through your local DME provider of SleepSafe® Beds. Give us a call, toll-free, at 866-852-2337 for more information about SleepSafe® Bed conversions. We will be happy to assist you.

Can I buy just a mattress?

Yes, you may purchase a replacement mattress for your SleepSafe® Bed. We do not recommend using a SleepSafe® Bed mattress for another bed type. Our mattresses are designed and custom sized to fit a SleepSafe® Bed and may not be appropriate for other beds. Safety is our number one priority and our mattresses are designed to fit snugly, without gaps, to reduce the chance of burrowing or entrapment.

How do I clean my SleepSafe® Bed?

All surfaces of a SleepSafe® Bed can be cleaned with water and mild detergent using a soft cloth. Please avoid any abrasives and solvents.

Annual Maintenance Checklist

- Tighten all bolts on panels and posts.***
Use provided Torx and Allen Wrenches to hand tighten. Avoid power tools.
- Lubricate working components beneath the bed.***
Lubricate the pins, actuators and hinges.
- Clean Padding and Check Velcro® if bed is padded.***
Use a mild detergent to gently clean surfaces, avoid abrasive cleaning pads or sponges. Check to see that Velcro® is attached properly.

Durable Medical Equipment Provider

Bed Serial # _____

Installation Date _____

DME Provider _____

DME Contact _____

DME Address _____

DME Phone _____

DME Email _____

Installed by _____

Customer Service & Technical Support

SleepSafe Bed Support

Hours: 8 AM to 5 PM / M-F / EST

Toll Free: 866.852.2337

Local: 276.627.0088

Fax: 276.627.0234

Web: SleepSafeBed.com

In case of an EMERGENCY after hours, please call 866-852-2337 for instructions on how to access the on-call technician.

DME Provider Support

DME: _____

Contact: _____

Phone: _____

Email: _____

Web: _____



SleepSafeBed.com | 866.852.2337

3629 Reed Creek Drive | Bassett, VA 24055 | FDA Registered | 820.120-15 Rev. 01