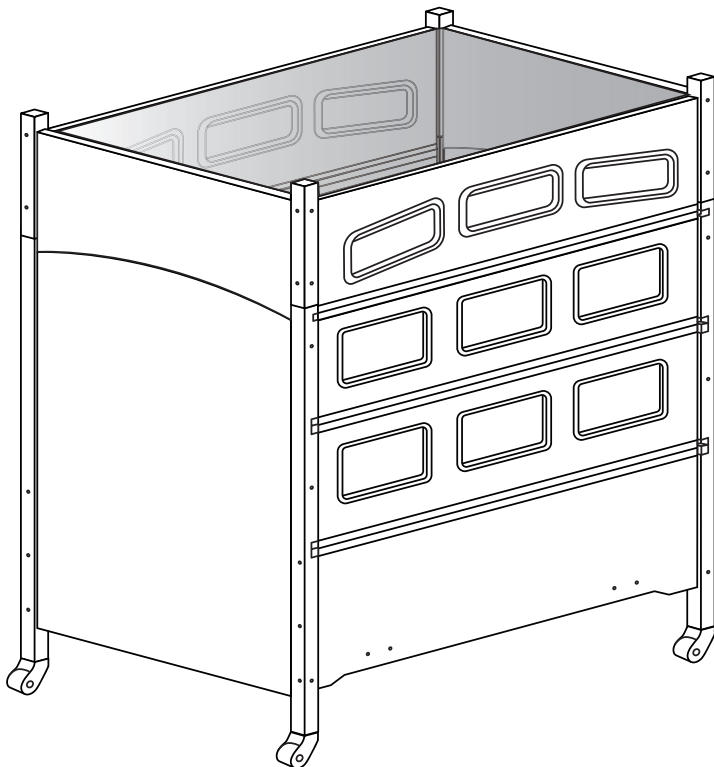


PRODUCT & ASSEMBLY GUIDE

# SUPER SCREEN Top

FOR EXTENSION BEDS

The SUPER SCREEN Top is an option to fully enclose a SleepSafe® Extension Bed



**SleepSafeBed.com | 866.852.2337**

3629 Reed Creek Drive | Bassett, VA 24055 | FDA Registered

# Assembly Guide

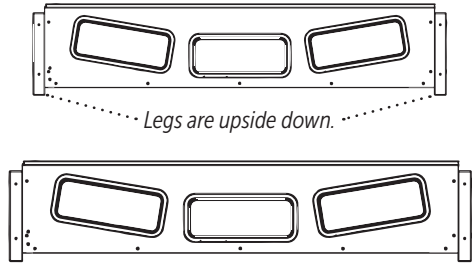
✓ SleepSafe® Extension Bed  
(w/SUPER SCREEN Top)

*After unpacking bed and checking the contents*

1

## Set Extension Side Rails Upside Down and on their Legs.

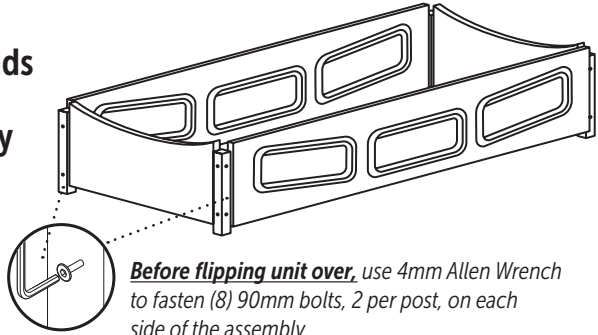
Assemble this with two people, otherwise one person can assemble one panel at a time after the the rest of the bed is assembled.



2

## Attach Extension Ends to Side Rails. Flip Assembly Over.

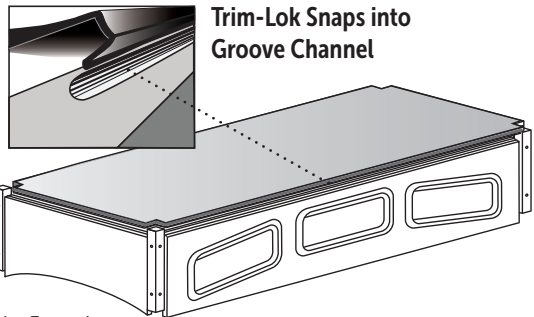
Illustration shows assembly upside down. Flip unit over when assembly is completed.



3

## Attach SUPER SCREEN Top to the Extension with Trim-Lok.

Trim-Lok is sewn into the edges of the Top. Attach to Extension by snapping the Trim-Lok into the grooves on the edge of the Extension.



SleepSafeBed.com

SLEEPSAFE EXTENSION BED



1-866-852-2337

3629 Reed Creek Dr. | Bassett, VA 24055

**4**

**This SleepSafe® Extension Bed installation step is based on ordering it as a complete unit.**

Retrofitting an extension to a SleepSafer® Tall Bed requires additional instructions.

**A Loosen top bolts on all 4 bed posts.**

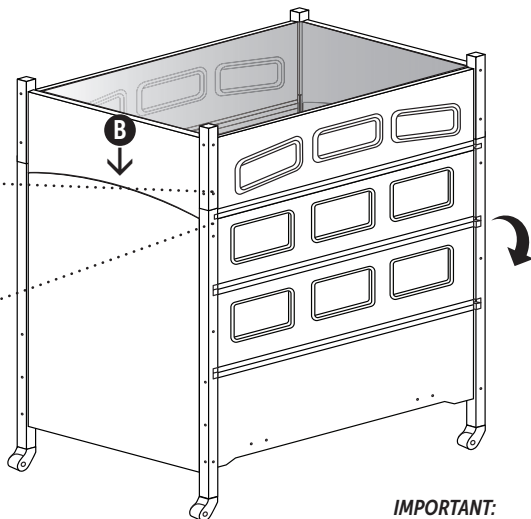
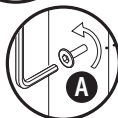
This allows play in the frame to fit the Extension.

**B Set the Extension on top of bed posts.**

Extension posts should align with the bed posts.

**C Fasten Extension to the Bed.**

Fasten (1) 90mm Allen Bolt into each post to attach Extension. Tighten all bolts.



**IMPORTANT:**

Bottom Safety Rail pivots down. Use both hands to carefully operate.

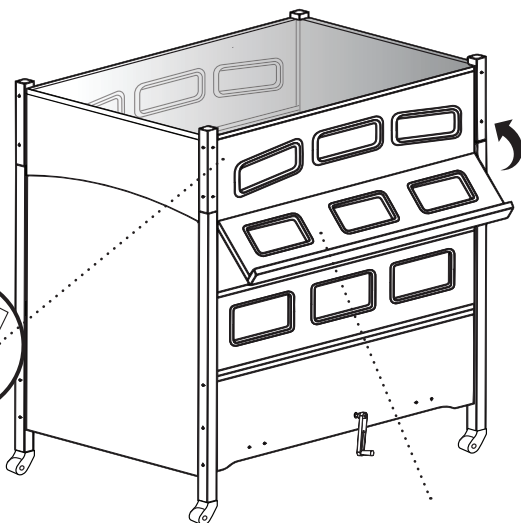
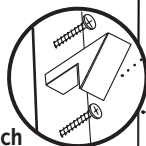
**5**

**Install Safety Latch to Extension.**

Align safety latch to threaded inserts located in the predrilled holes in the Extension. Use Phillips head screwdriver to mount the latch to the Extension.

**The latch will catch and secure the top safety rail when raised into position.**

Use hand to push latch up to release the rail.



**IMPORTANT:**

Be sure to support safety rail with both hands while moving the rail into their secure positions.

# Durable Medical Equipment Provider

Bed Serial # \_\_\_\_\_

Installation Date \_\_\_\_\_

DME Provider \_\_\_\_\_

DME Contact \_\_\_\_\_

DME Address \_\_\_\_\_

DME Phone \_\_\_\_\_

DME Email \_\_\_\_\_

## Customer Service & Technical Support

### SleepSafe Bed Support

Hours: 8 AM to 5 PM / M-F / EST

Fax: 276.627.0234

[sleepsafebed@sleepsafebed.com](mailto:sleepsafebed@sleepsafebed.com)

### *In case of an EMERGENCY*

*after hours, please call 866-852-2337  
for instructions on how to access the  
on-call technician.*



**SleepSafeBed.com | 866.852.2337**

3629 Reed Creek Drive | Bassett, VA 24055 | FDA Registered

WI 820.120-16 Super Screen Top for Extension Bed - Addendum