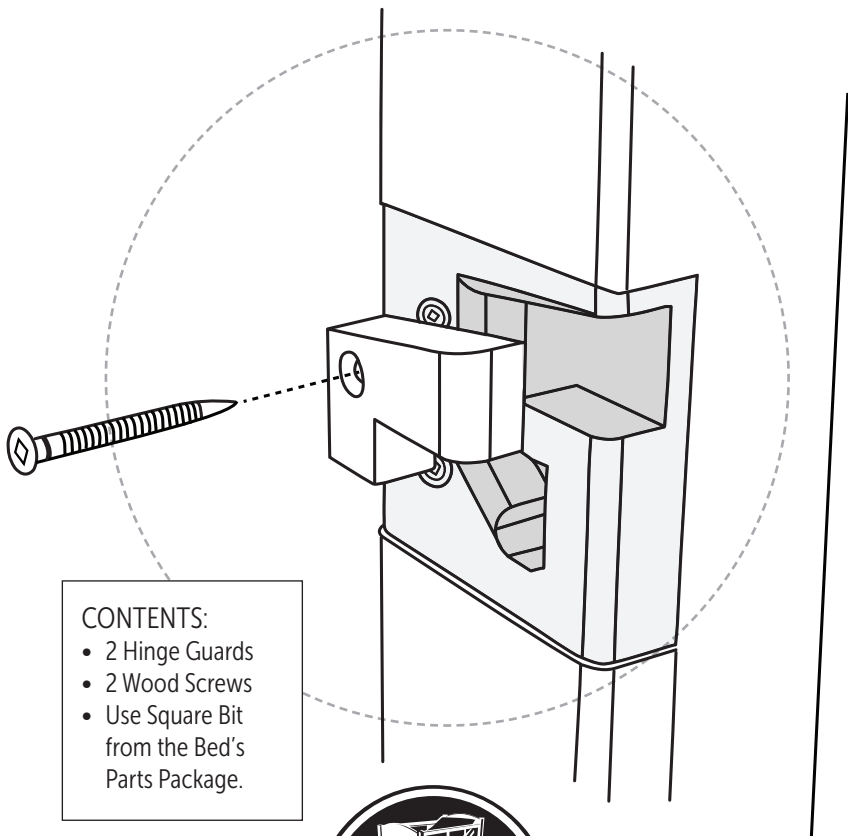


PRODUCT & ASSEMBLY GUIDE

# Hinge Guard Installation

FOR SAFETY RAILS

This guide outlines the installation of a Hinge Guard to the Safety Rails on a SleepSafe® Bed.



**CONTENTS:**

- 2 Hinge Guards
- 2 Wood Screws
- Use Square Bit from the Bed's Parts Package.



**SleepSafeBed.com | 866.852.2337**

3629 Reed Creek Drive | Bassett, VA 24055 | FDA Registered

# Safety Rail Adjustment: Up and Down

## 1 Does the Safety Rail need adjustment?

For proper operation, the pin should be centered in the strike. If not centered, follow these steps to center the pin in the strike.

## 2 Remove Strike from Bed Post.

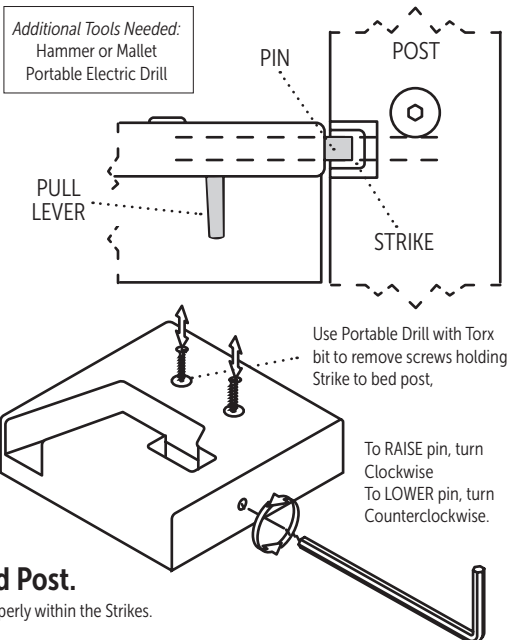
Use Drill with Torx bit to remove screws from the Strike. Gently tap the strike out of the bed post with hammer or mallet to access.

## 3 Adjust Set Screw.

Use Torx 10 wrench to adjust set screw. Keep in mind which direction that you need to adjust the pin. If the pin needs to be raised, turn the set screw clockwise. If the pin needs to be lowered, turn the set counter-clockwise.

## 4 Reinsert Strike into Bed Post.

Check to see if the Pins are centered properly within the Strikes.



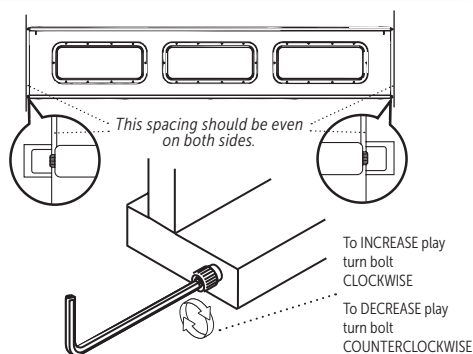
# Safety Rail Adjustment: Side by Side

## 1 Does the Safety Rail need adjustment?

When up and secure, check the spacing between the end of the safety rail and the headboard and footboard legs. They should be spaced evenly.

## 2 Remove Safety Rail and adjust the play.

If spacing is not even, or there is too much side-to-side play in the rail, turn the black hex bolt using the 1/4" Allen Wrench provided.



[SleepSafeBed.com](http://SleepSafeBed.com)

HINGE GUARD INSTALLATION



1-866-852-2337

3629 Reed Creek Dr. | Bassett, VA 24055

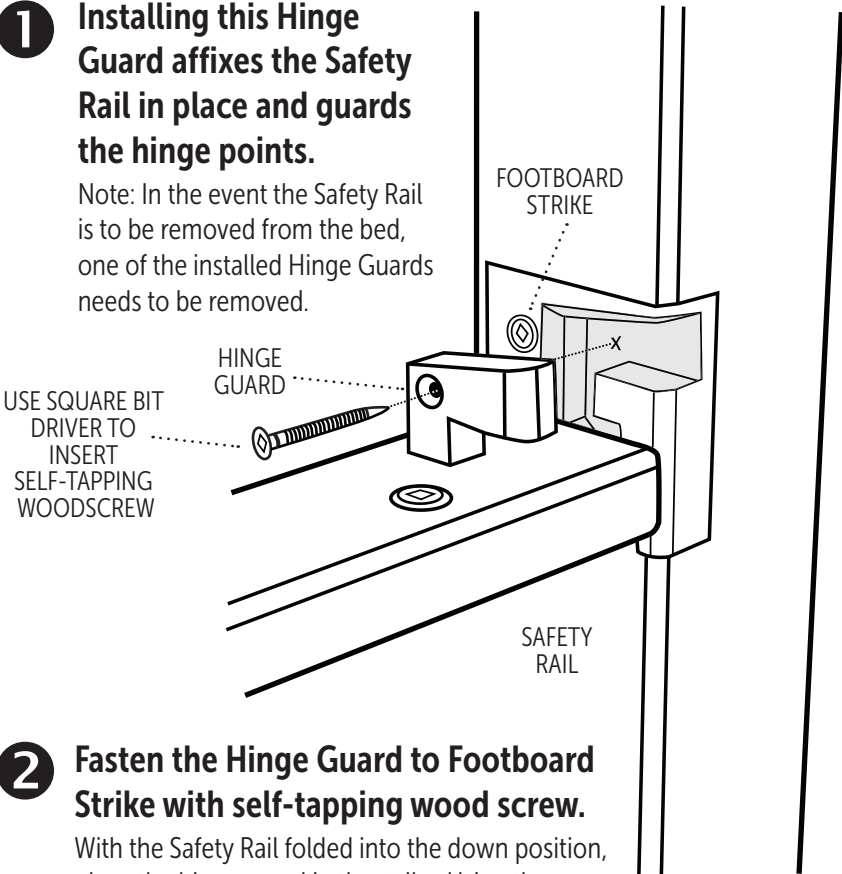
**IMPORTANT:** Before installing the Hinge Guard, check the position of the Safety Rail, when in place, to insure proper alignment. Is it opening and closing properly? Using the instructions to the left, adjust if necessary.

Even though the settings for the Safety Rails are pre-set at the factory, it is recommended that you check the alignment beforehand.

## Installing the Safety Rail Hinge Guard

### 1 Installing this Hinge Guard affixes the Safety Rail in place and guards the hinge points.

Note: In the event the Safety Rail is to be removed from the bed, one of the installed Hinge Guards needs to be removed.



### 2 Fasten the Hinge Guard to Footboard Strike with self-tapping wood screw.

With the Safety Rail folded into the down position, place the hinge guard in the strike. Using the square bit driver, secure the Hinge Guard. Once installed, check the operation of the Safety Rail.

# Durable Medical Equipment Provider

Bed Serial # \_\_\_\_\_

Installation Date \_\_\_\_\_

DME Provider \_\_\_\_\_

DME Contact \_\_\_\_\_

DME Address \_\_\_\_\_

DME Phone \_\_\_\_\_

DME Email \_\_\_\_\_

## Customer Service & Technical Support

### SleepSafe Bed Support

Hours: 8 AM to 5 PM / M-F / EST

Fax: 276.627.0234

[sleepsafebed@sleepsafebed.com](mailto:sleepsafebed@sleepsafebed.com)

### *In case of an EMERGENCY*

*After hours, please call 866-852-2337  
for instructions on how to access the  
on-call technician.*



**SleepSafeBed.com | 866.852.2337**

3629 Reed Creek Drive | Bassett, VA 24055 | FDA Registered

WI 820.120-17 Rev. 01