

RETROFIT KIT

How to install the Supreme Air™ Mattress System - Model 9600 by Blue Chip Medical Products, Inc

Includes: Supreme Air™ Mattress System - Model 9600, a footboard with a Tubing Channel Cut Out and four (4) cardboard lifts.

Tools Needed: 4mm Allen Wrench (Included) or Drill with 4mm Allen Bit

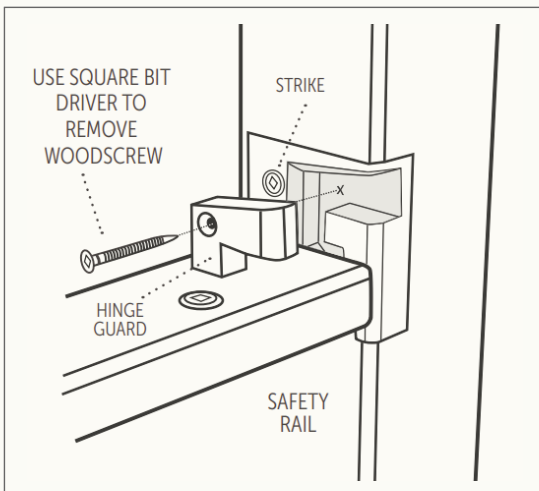


3629 Reed Creek Dr.
Bassett, VA 24055

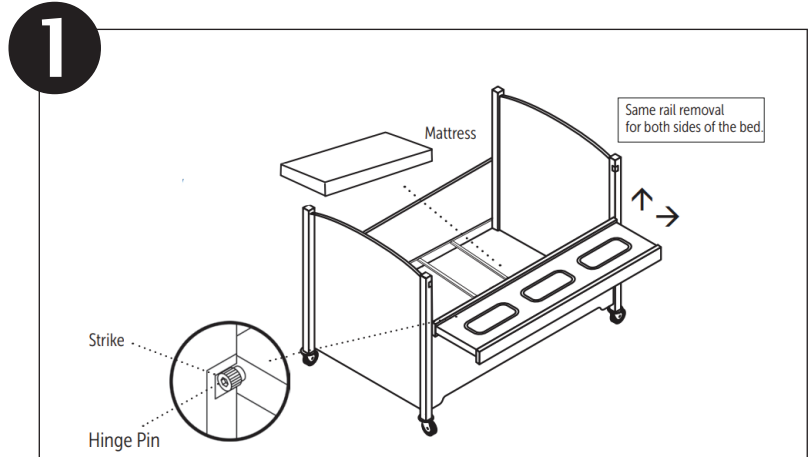
Toll Free: 866.852.2337

SleepSafeBed.com

sleepsafebed@sleepsafebed.com

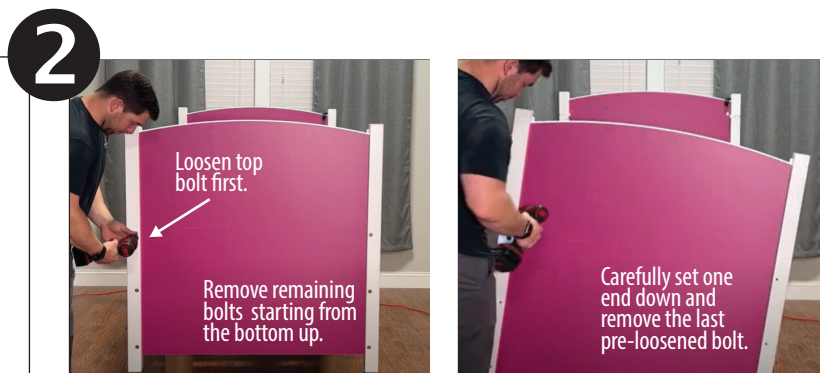
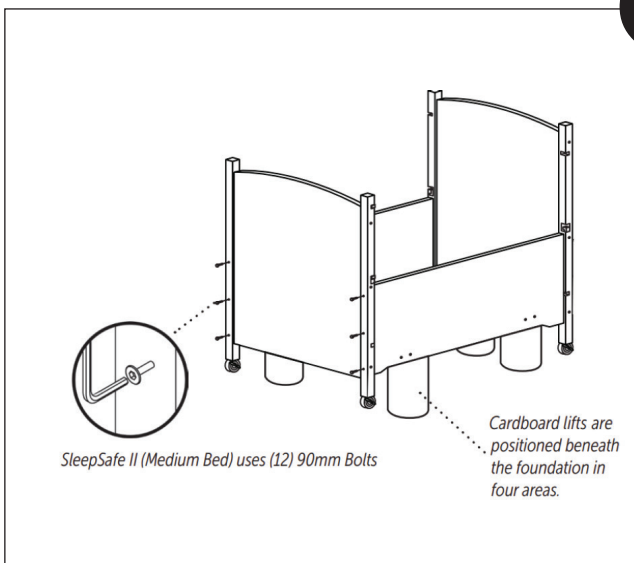


IF EQUIPPED, REMOVE THE HINGE GUARDS AFFIXED TO THE STRIKE.
After removal, save all parts for reinstallation.



REMOVE SAFETY RAILS AND MATTRESS.

Remove the Safety Rails and Mattress. When the safety rail is in the down position, use both hands to remove the safety rail from the strikes.



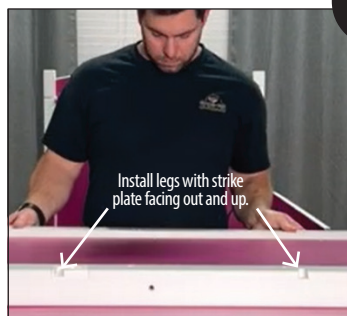
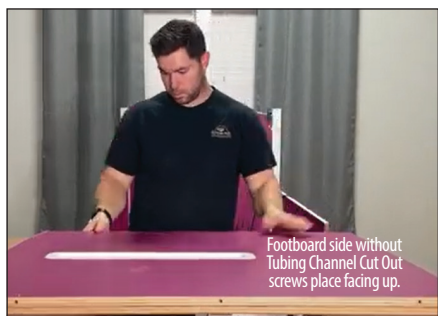
USE CARDBOARD LIFTS TO ELEVATE BED AND REMOVE FOOTBOARD.

Detach footboard from side panels, use 4mm Allen Wrench to loosen 90mm Allen Bolts



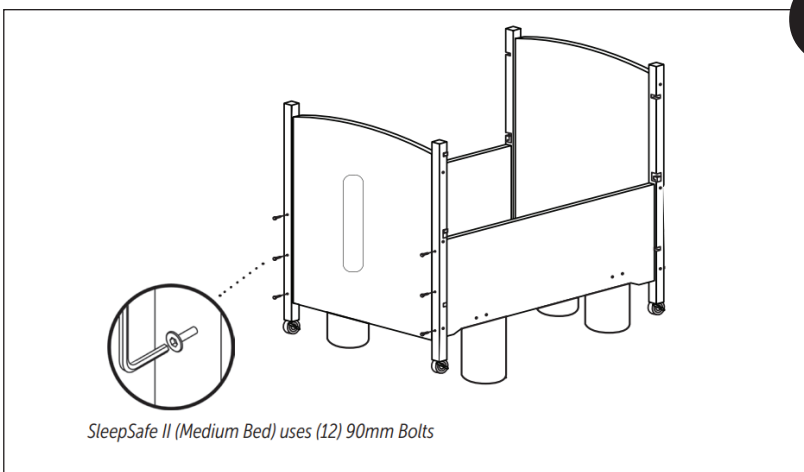
3 DETACH LEGS FROM FOOTBOARD.

Detach both legs from footboard , use 4mm Allen Wrench to remove all six (6) 90mm Allen Bolts. Set legs and bolts to the side for reinstallation later.



4 ATTACH LEGS TO FOOTBOARD WITH TUBING CHANNEL CUT OUT.

Use 4mm Allen Wrench to fasten six (6) 90mm Allen Bolts.



5 REINSTALL FOOTBOARD TO SIDE PANELS.

Use 4mm Allen Wrench to fasten six (6) 90mm Allen Bolts.

Remove cardboard lifts and reattach Safety Rails and Hinge Guard (if equipped).



6 PLACE LOW AIR LOSS MATTRESS INTO SLEEPSAFE® BED

With the corded end facing the footboard, place de-flated Low Air Loss Mattress into a SleepSafe Bed. Pull air pressure cord through tubing channel and plug into the control unit.

Plug into the power supply and press the green button to turn the control unit on. Follow enclosed instructions provided by Blue Chip Medical Products for proper operation.