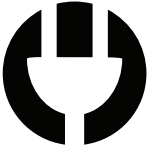


DISASSEMBLY GUIDE

# Moving Instructions

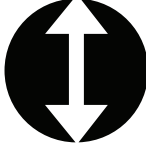
ALL FOUNDATIONS



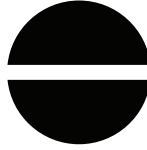
ELECTRIC



ARTICULATION



HI-LO

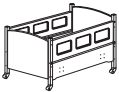


FIXED



MANUAL

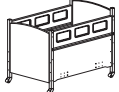
*This guide outlines the instructions for disassembling SleepSafe® Bed models. Assembly instructions for all foundations are available on our website.*



**SleepSafe® (BASIC)**



**SleepSafe® (Low Bed)**



**SleepSafe® II (Medium Bed)**



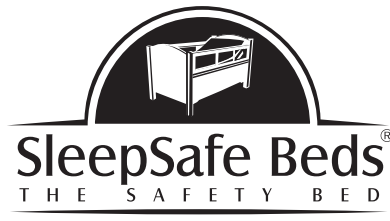
**SleepSafer® (Tall Bed)**

· Dual View



**SleepSafer® Extension Bed**

· Dual View · with Extension Top



**SleepSafeBed.com | 866.852.2337**

3629 Reed Creek Drive | Bassett, VA 24055

# Table of Contents

- 1 Disassembly Information
- 2 Removals: Hinge Guards / Hand Cranks
- 3 Disassembly Guide: Fixed Foundations
- 4-5 Disassembly Guide: SleepSafe BASIC & Low Bed; SleepSafe II Medium Bed
- 6-7 Disassembly Guide: SleepSafer Tall Bed  
SleepSafer Tall Bed Dual View
- 8 Disassembly Guide: Extension Bed / Top
- 9 Safety Rail Adjustment Instructions
- 10 DME information / Technical Support

## DO YOU NEED THE FOLLOWING MATERIALS TO PREPARE FOR YOUR MOVE?

- **Cardboard Lifts**
- **Hardware Kit**

**AVAILABLE FOR PURCHASE!  
CALL CUSTOMER SERVICE AT  
866.852.2337**

*This guide is available as a PDF. Contact Customer Service at 866.852.2337 for more information.*



**ALL FOUNDATIONS**

## Tools Needed for Disassembly



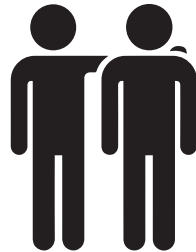
4mm Allen Wrench  
T10 Torx Wrench with Square Bit  
1/4" Allen Wrench  
*(Included in the Hardware Kit)*



Flat and Phillips Head  
Screwdrivers



3/8" Open or Closed  
End Wrench



Two People for Disassembly

# Attention! Read Before Disassembly

- **KEEP THIS DISASSEMBLY GUIDE.**

IT MAY BE HELPFULL FOR FUTURE MOVES.

- **CAREFULLY PLAN DISASSEMBLY.**

FAMILIARIZE YOURSELF WITH BED COMPONENTS IN THIS GUIDE.

- **WHEN DISASSEMBLING, KEEP HARDWARE**

ALL TOGETHER IN A SEPARATE BAG. THE HARDWARE LIST CAN BE FOUND ON THE ORIGINAL ASSEMBLY GUIDE.

- **USE THE FOUR CARDBOARD LIFTS FROM**

ORIGINAL PACKAGING, OR FOUR SIMILAR SUPPORTS, FOR DISASSEMBLY.

DUE TO THE PRESENCE OF SMALL PARTS DURING DISASSEMBLY, KEEP THE PARTS OUT OF THE REACH OF CHILDREN.

- **IMPORTANT: FOLLOW THE INSTRUCTIONS**

IN THE SPECIFIED ORDER TO ENSURE THE BED IS PROPERLY DISASSEMBLED.

- **COMPLETE REASSEMBLY.** ENSURE EACH

COMPONENT IS INSTALLED. DO NOT OMIT ANY COMPONENT FROM INSTALLATION.

- **NEVER USE THIS BED IF THERE ARE ANY**

MISSING FASTENERS, LOOSE JOINTS, BROKEN PARTS, TORN MESH, OR PADDING INADEQUACIES. CONTACT SLEEPSAFE BEDS AT 866.852.2337 FOR ASSISTANCE.

- **NEVER SUBSTITUTE OR ALTER PARTS**, THE PRODUCT INCLUDING SIDE RAILS, MUST BE FULLY INSTALLED PRIOR TO USE.

- **IF BED IS PADDED**, CHECK THAT ALL PADDING IS FIRMLY ATTACHED.

- **DO NOT USE POWER TOOLS** DURING ASSEMBLY OR DISASSEMBLY.

- **WARNING STRANGULATION HAZARD:** STRINGS CAN CAUSE STRANGULATION! NEVER PLACE BED NEAR WINDOW WHERE CORDS FROM BLINDS OR DRAPES MAY STRANGLE A CHILD.

- **KEEP REMOTE CONTROL CORD AWAY** FROM BED WHILE MOVING THE SAFETY RAIL UP OR DOWN TO PREVENT PINCHING OF THE CORD.

- **KEEP REMOTE CONTROL CORD AWAY** FROM BED'S INTERIOR TO PREVENT ENTANGLEMENT AND STRANGULATION

- AN UNINTERRUPTED POWER SUPPLY (UPS) UNIT IS RECOMMENDED FOR MISSION CRITICAL CONTROL OF BED FOR USER

- **DO NOT SUBSTITUTE MATTRESS.** IT IS SPECIFICALLY DESIGNED AND FITTED FOR A SLEEPSAFE® BED AND ITS USER.



**SleepSafeBed.com | 866.852.2337**

3629 Reed Creek Drive | Bassett, VA 24055

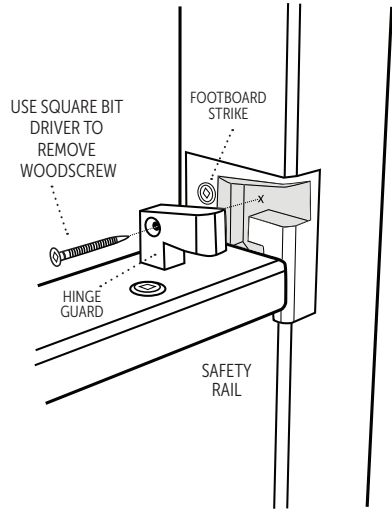
# Disassembly Guide

Accessories, if equipped

- Hinge Guard Removal
- Hand Crank Removal

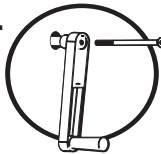
**1** If equipped, remove the Hinge Guards affixed to the Safety Rails.

After removal, save all parts for reinstallation.



**2** If equipped, remove crank handles. Undo the bolt that attaches the crank to the shaft.

After removal, save all parts for reinstallation.



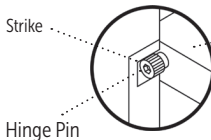
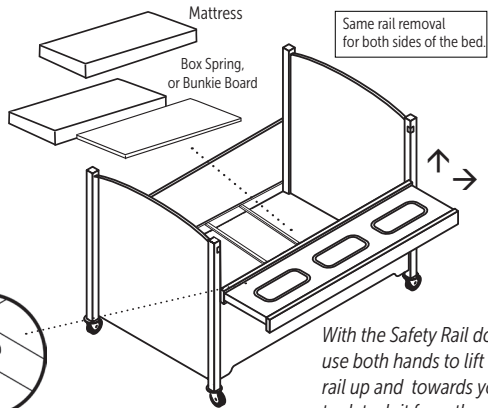
# Disassembly Guide

Fixed Foundations

- SleepSafe (BASIC & Low)
- SleepSafe II (Medium Bed)

**1** Remove Safety Rails, Bunkie Board, or Box Spring, and Mattress.

After removal, save all parts for reinstallation.



With the Safety Rail down, use both hands to lift the rail up and towards you to detach it from the post



ALL FOUNDATIONS



**SleepSafeBed.com**  
**1-866-852-2337**

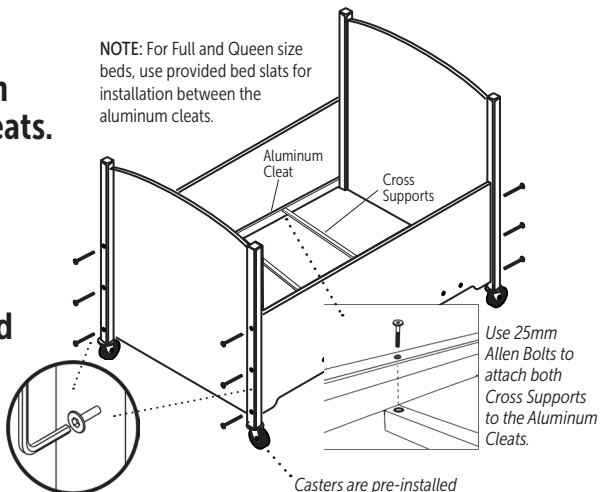
3629 Reed Creek Dr. | Bassett, VA 24055

## 2 Detach Cross Supports from Aluminum Cleats.

Use 4mm Allen Wrench to remove Allen Bolts.

## Detach Headboard and Footboard from side panels.

Use 4mm Allen Wrench to remove Allen Bolts.

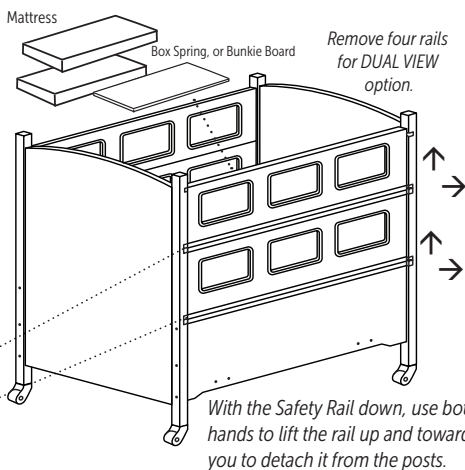
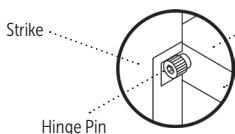


## ✓ SleepSafer (Tall Bed)

## ✓ SleepSafe Extension Bed

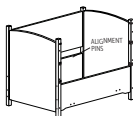
## 1 Remove Safety Rails, Bunkie Board, or Box Spring, and Mattress.

After removal, save all parts for reinstallation.



## 2 Remove Back Panel.

Detach Allen Bolts from each post, then carefully remove from alignment pins.

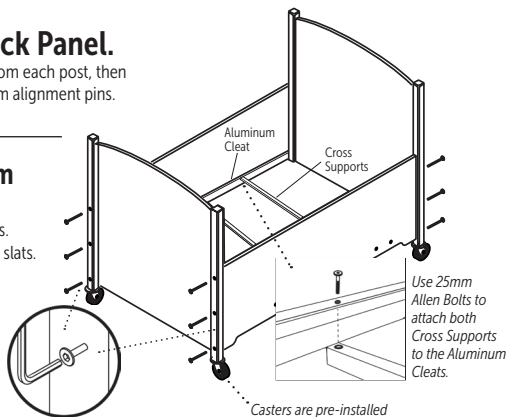


## 3 Detach Cross Supports from Aluminum Cleats.

Use 4mm Allen Wrench to remove Allen Bolts. NOTE: For Full and Queen size beds, remove slats.

## Detach Headboard and Footboard from side panels.

Use 4mm Allen Wrench to remove Allen Bolts.



# Disassembly Guide

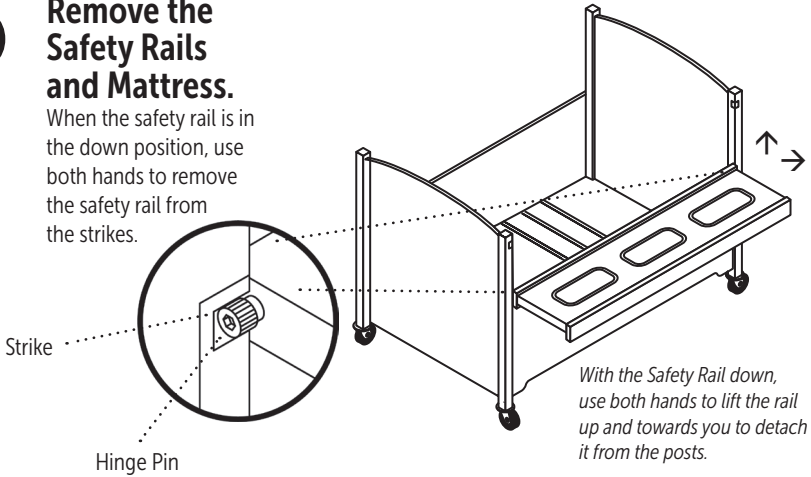
## Articulating Foundations

✓ SleepSafe (BASIC & Low)

✓ SleepSafe II (Medium Bed)

### 1 Remove the Safety Rails and Mattress.

When the safety rail is in the down position, use both hands to remove the safety rail from the strikes.



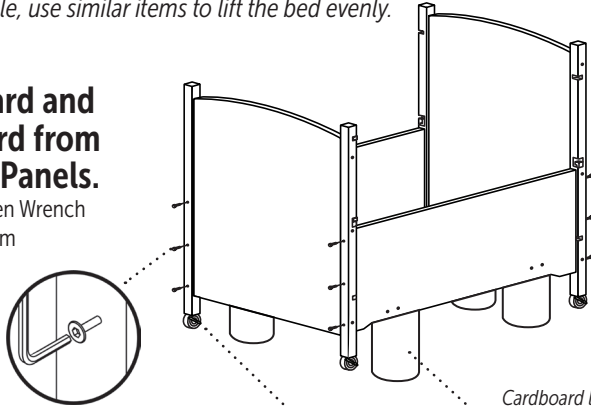
With the Safety Rail down, use both hands to lift the rail up and towards you to detach it from the posts.

### 2 Use Cardboard Lifts beneath foundation to elevate bed.

*If not available, use similar items to lift the bed evenly.*

#### Detach Headboard and Footboard from the Side Panels.

(Use 4mm Allen Wrench to fasten 90mm Allen Bolts to Side Panels)



SleepSafe Bed (Low Bed) uses (8) 90mm Bolts  
SleepSafe II (Medium Bed) uses (12) 90mm Bolts

Casters may stay or be removed for moving.

Cardboard lifts or similar items, are positioned beneath the foundation in four areas.



ALL FOUNDATIONS



SleepSafeBed.com

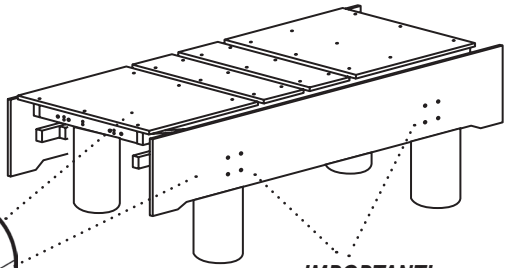
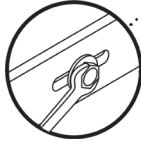
1-866-852-2337

3629 Reed Creek Dr. | Bassett, VA 24055

**3**

### Detach Side Panels from Foundation.

(Use 3/8" wrench to remove eight 3/4" Hex Bolts from inside the panel)



You will find four Hex Bolts inside each side panel.

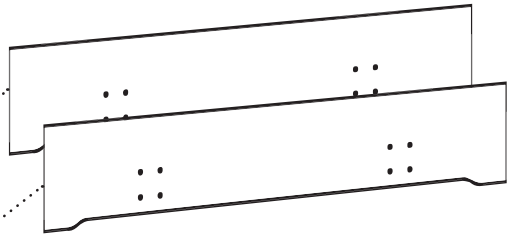
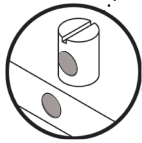
#### **IMPORTANT!**

Remember the depth setting for the mattress to floor height when reinstalling the bed. The high setting adds height.

**4**

### Be sure all Barrel Bolts stay in place within the Side Panels.

Barrel Bolts should stay aligned as shown. Use flathead screwdriver to assist alignment in necessary.



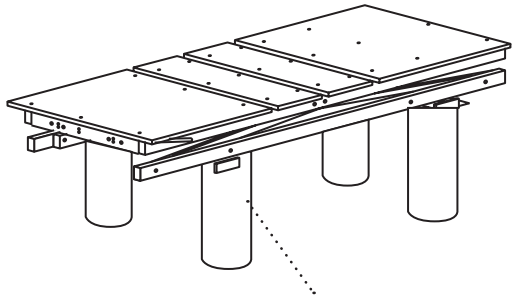
SleepSafe Bed (Low Bed) Side Panels use 8 Barrel Bolts  
SleepSafe II (Medium Bed) Side Panels use 12 Barrel Bolts

**5**

### Remove Foundation from the Lifts.

#### Prepare all components for moving.

When packing, be sure to protect the mechanics, wiring and electronics under the foundation.



Remove and save cardboard lifts for future use!

**Before repackaging, check to include all contents.**

# Disassembly Guide

## Articulating Foundations

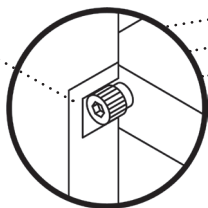
✓ SleepSafer (Tall Bed)

✓ SleepSafer (Dual View)

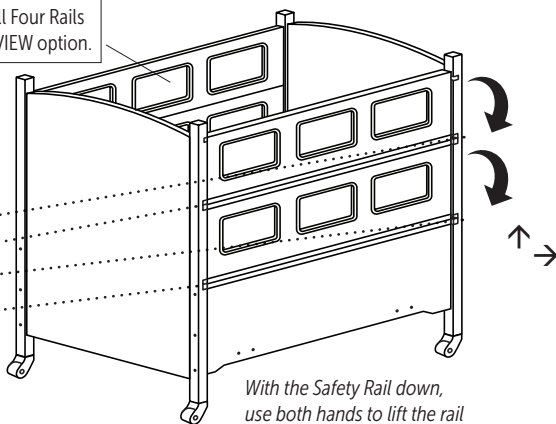
### 1 Remove Mattress and Safety Rails

Remove all Four Rails for DUAL VIEW option.

Strike



Hinge Pin



With the Safety Rail down, use both hands to lift the rail up and towards you to detach it from the posts.

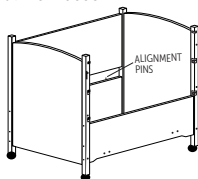
## Use Cardboard Lifts beneath foundation to elevate bed.

If not available, use similar items to lift the bed evenly.

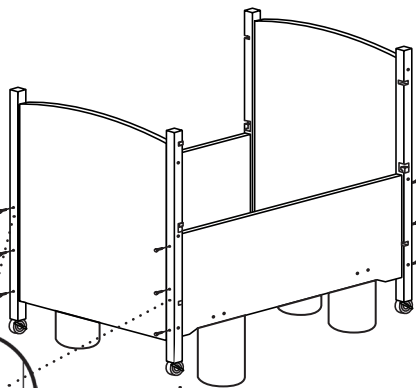
### 2 Remove Back Panel.

Remove (2) 90mm Allen Bolts from each post, then carefully remove panel from alignment pins.

**NOTE:** This step not necessary for Dual View beds.



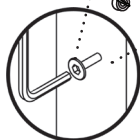
ALIGNMENT PINS



Casters are pre-installed

### 3 Remove Headboard and Footboard from Panels.

Remove (6) 90mm Allen Bolts from each panel with 4mm Allen Wrench.

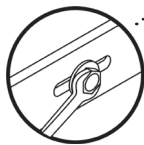


**IMPORTANT:** When reinstalling the Back Panel the Barrel Bolts need to be away from the frame, toward the wall.

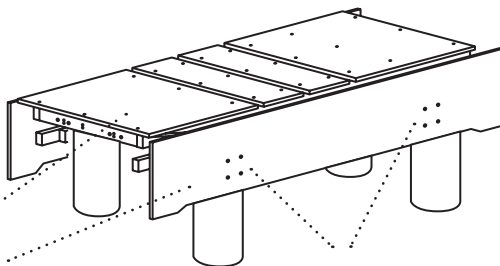


### 3 Remove Panels from foundation.

(Use 3/8" wrench to remove eight 3/4" Hex Bolts from inside the panel)



You will find four Hex Bolts inside each side panel.



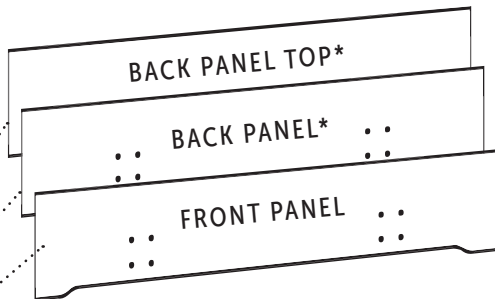
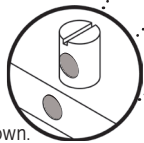
#### **IMPORTANT!**

Remember the depth setting for the mattress to floor height when reinstalling the bed. The high setting adds height.

### 4 Be sure all Barrel Bolts stay in place within the Side Panels.

Barrel Bolts should stay aligned as shown.

Use flathead screwdriver to assist alignment in necessary.

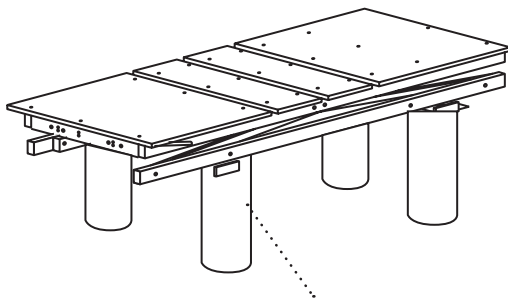


SleepSafer Bed (Tall Bed) Back Panels use 10 Barrel Bolts  
SleepSafer Bed (Tall Bed) Front Panel use 6 Barrel Bolts  
\* Dual View Option uses 2 Front panels only. No Back Panels.

### 5 Remove Foundation from the Lifts.

#### Prepare all components for moving.

When packing, be sure to protect the mechanics, wiring and electronics under the foundation.



Remove and save cardboard lifts for future use!

**Before packaging, check to include all contents.**

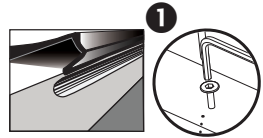
# Disassembly Guide

## Extension Beds

✓ *SleepSafe Extension Bed*  
*Open & Closed Extensions*  
*(Before SleepSafer Disassembly)*

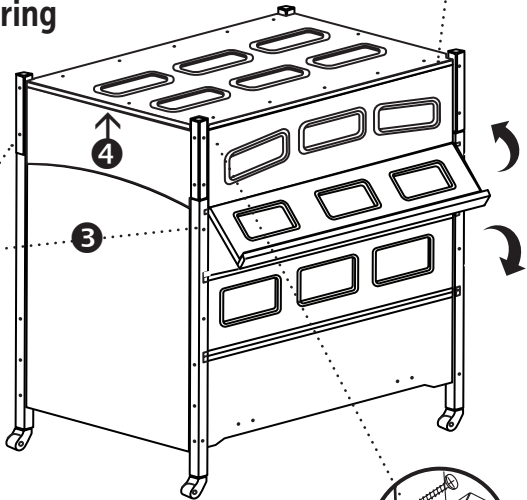
### 1 If Applicable, Remove SuperScreen or Bolts Securing the Top to the Extension.

To detach SuperScreen, unsnap from the groove channel.  
To remove the Extension Top, use 4mm Allen Wrench to remove (12) 40mm Allen Bolts.



### 2 Remove Bolts Securing the Extension to the Bed.

Use 4mm Allen Wrench to remove (1) 90mm Allen Bolt from each bed post to detach the Extension.



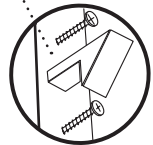
### 3 Loosen top bolts on all 4 bed posts.

Allows play in the frame to remove the Extension easily.

### 4 Remove the Extension.

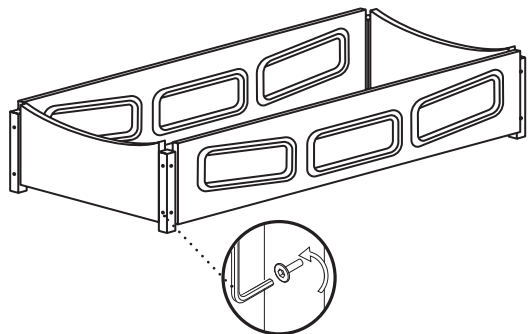
Place it evenly on the ground for further disassembly..

*Remove the Safety Latch on the Extension and install properly when the bed is relocated.*



### 5 Detach the Extension Ends from Side Rails.

Use 4mm Allen Wrench to remove (8) 90mm bolts, 2 per post, on each side of the assembly.



ALL FOUNDATIONS



**SleepSafeBed.com**  
**1-866-852-2337**

3629 Reed Creek Dr. | Bassett, VA 24055

# Safety Rail Adjustment: Up and Down

## 1 Does the Safety Rail need adjustment?

For proper operation, the pin should be centered in the strike. If not centered, follow these steps to center the pin.

## 2 Remove Strike from Bed Post.

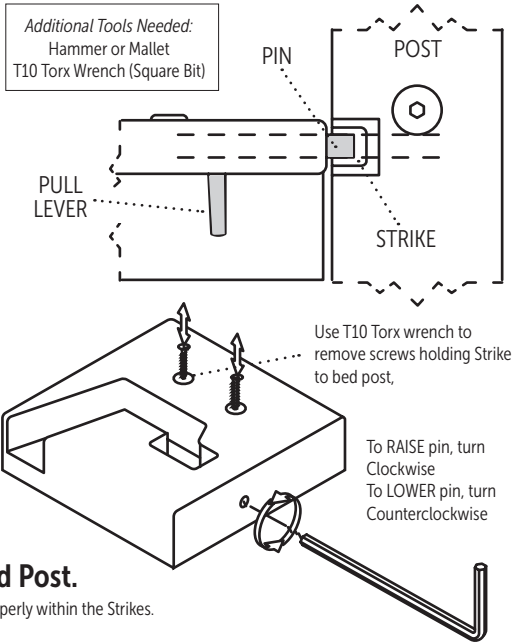
Use T10 Torx wrench to remove screws from the Strike. Gently tap the strike out of the bed post with hammer or mallet to access.

## 3 Adjust Set Screw.

Use Torx 10 wrench to adjust set screw. Keep in mind which direction that you need to adjust the pin. If the pin needs to be raised, turn the set screw clockwise. If the pin needs to be lowered, turn the set screw counter-clockwise.

## 4 Reinsert Strike into Bed Post.

Check to see if the Pins are centered properly within the Strikes.



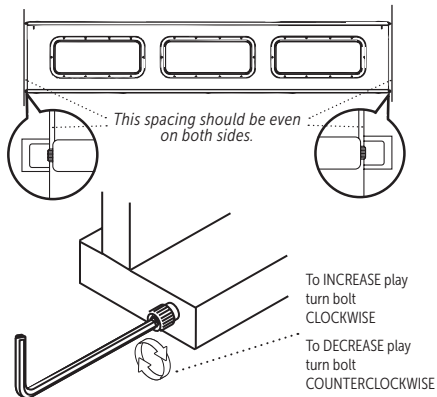
# Safety Rail Adjustment: Side by Side

## 1 Does the Safety Rail need adjustment?

When up and secure, check the spacing between the end of the safety rail and the headboard and footboard legs. They should be spaced evenly.

## 2 Remove Safety Rail and adjust the play.

If spacing is not even, or there is too much side-to-side play in the rail, turn the black hex bolt using the 1/4" Allen Wrench provided.



**Before packaging, check to include all contents.**

# Durable Medical Equipment Provider

Bed Serial # \_\_\_\_\_

Moving Date \_\_\_\_\_

DME Contact \_\_\_\_\_

# Customer Service & Technical Support

## SleepSafe Bed Support

Hours: 8 AM to 5 PM / M-F / EST

Toll Free: 866.852.2337

Local: 276.627.0088

Fax: 276.627.0234

Web: SleepSafeBed.com

*In case of an EMERGENCY after hours, please call 866-852-2337 for instructions on how to access the on-call technician.*

## DME Provider Support

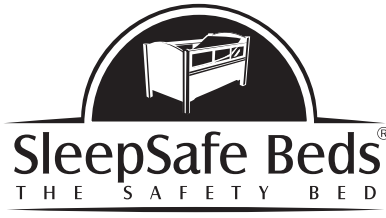
DME: \_\_\_\_\_

Contact: \_\_\_\_\_

Phone: \_\_\_\_\_

Email: \_\_\_\_\_

Web: \_\_\_\_\_



**SleepSafeBed.com | 866.852.2337**

3629 Reed Creek Drive | Bassett, VA 24055 | 820.120-20 Rev. 02