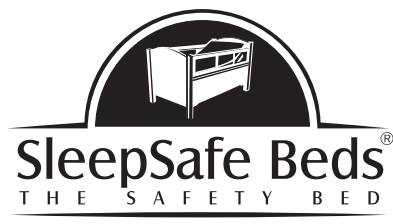
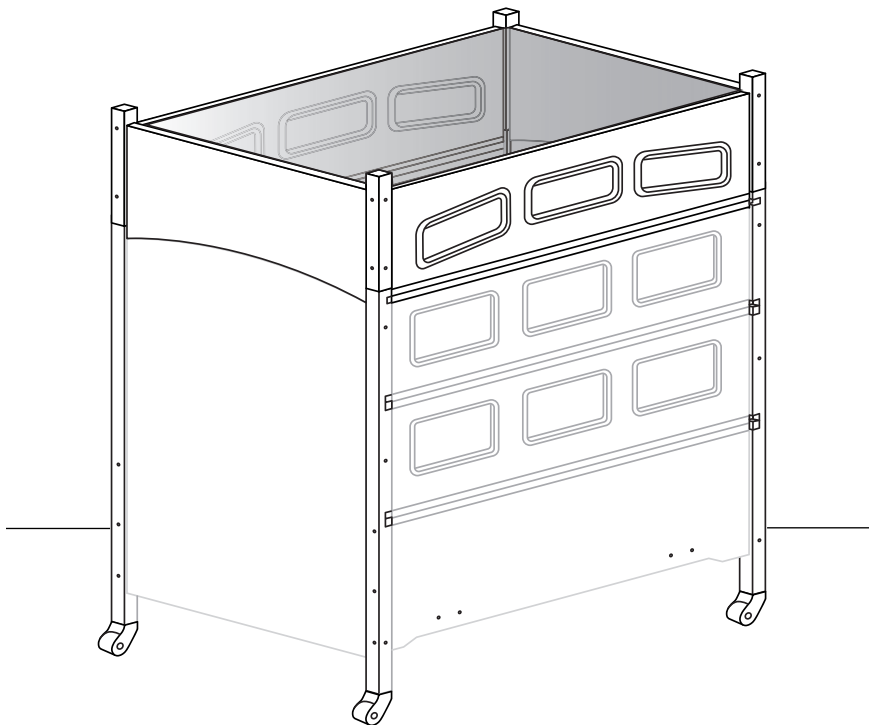


PRODUCT & ASSEMBLY GUIDE

SleepSafer® Bed

EXTENSION RETROFIT WITH **SUPERSCREEN**

These SleepSafer® (Tall Bed) Extension instructions are for RETROFIT ONLY.
This retrofit adds safety rail height to an existing SleepSafer® Bed.



SleepSafeBed.com | 866.852.2337

3629 Reed Creek Drive | Bassett, VA 24055

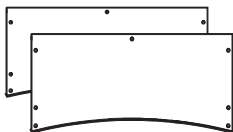
SLEEPSAFER (TALL BED) RETROFIT EXTENSION

Included Components for Assembly

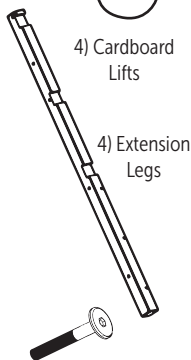
Extra, spare hardware will be included with this assembly,



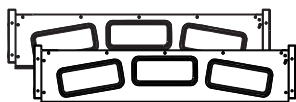
4) Cardboard Lifts



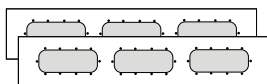
2) Extension End Panels



4) Extension Legs



2) Extension Side Panels

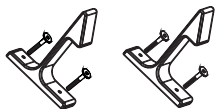


2) Replacement Pads for Top Rail
(Note: Pads are only included when the existing bed is padded. Two pads included for SleepSafer® Dual View)

- 12) 40 mm Allen Bolts (Twin)
18) 40 mm Allen Bolts (Full/Queen)



16) 90 mm Allen Bolts



2) Extension Latch Assemblies
necessary for SleepSafer Dual Views



Barrel Bolts
A quantity is supplied if needed for panel insertion and attachment.



1) Torx Bit
For use to adjust strike plate on safety rail if necessary.



Optional SuperScreen Top

Assembly Tools



Allen Wrenches (Supplied)



Flat Head Screwdriver



Phillips Head Screwdriver



Two People for Assembly are recommended

*This assembly guide is available as a PDF.
Technician available at 866.852.2337 for additional assistance.*

Note! Read Before Assembly

- **KEEP THIS PRODUCT & ASSEMBLY GUIDE.**

IT WILL USE THE EXISTING SERIAL NUMBER OF THE SLEEPSAFER® BED.

- CAREFULLY REMOVE AND LAY OUT ALL COMPONENTS. FAMILIARIZE YOURSELF WITH INSTRUCTIONS TO FACILITATE THE ASSEMBLY OF YOUR BED.
- CHECK COMPONENTS AND CONTENTS OF ENCLOSED HARDWARE BAG WITH THE HARDWARE LIST ON PREVIOUS PAGE.
- DO NOT THROW AWAY THE FOUR CARD-BOARD STANDS FOR ELEVATING THE BED DURING THE EXTENSION ASSEMBLY.
- DUE TO THE PRESENCE OF SMALL PARTS DURING ASSEMBLY, KEEP OUT OF REACH OF CHILDREN.
- IMPORTANT: FOLLOW THE INSTRUCTIONS IN THE SPECIFIED ORDER SO THE BED AND EXTENSION ARE PROPERLY ASSEMBLED.
- COMPLETE ASSEMBLY. ENSURE EACH COMPONENT IS INSTALLED. DO NOT OMIT ANY COMPONENT FROM INSTALLATION.
- NEVER USE THIS BED IF THERE ARE ANY MISSING FASTENERS, LOOSE JOINTS, BROKEN PARTS, TORN MESH, OR PADDING INADEQUACIES. CONTACT SLEEPSAFE BEDS AT 866.852.2337 FOR HELP.

- NEVER SUBSTITUTE OR ALTER PARTS.

THE EXTENSION MUST BE FULLY ASSEMBLED WITH PROVIDED COMPONENTS.

- IF EXTENSION IS PADDED, CHECK THAT ALL PADDING IS FIRMLY ATTACHED.
- WARNING STRANGULATION HAZARD: STRINGS CAN CAUSE STRANGULATION! NEVER PLACE BED NEAR WINDOW WHERE CORDS FROM BLINDS OR DRAPES MAY STRANGLE A CHILD.
- KEEP REMOTE CONTROL CORD AWAY FROM BED WHILE MOVING THE SAFETY RAIL UP OR DOWN TO PREVENT PINCHING OF THE CORD.
- KEEP REMOTE CONTROL CORD AWAY FROM BED'S INTERIOR TO PREVENT ENTANGLEMENT AND STRANGULATION
- AN UNINTERRUPTED POWER SUPPLY (UPS) UNIT IS RECOMMENDED FOR MISSION CRITICAL CONTROL OF BED FOR USER
- TEST ALL LATCHES FOR CORRECT INSTALLATION, before SleepSafer Bed with Extension is put into service.



SleepSafeBed.com | 866.852.2337

3629 Reed Creek Drive | Bassett, VA 24055

Assembly Guide

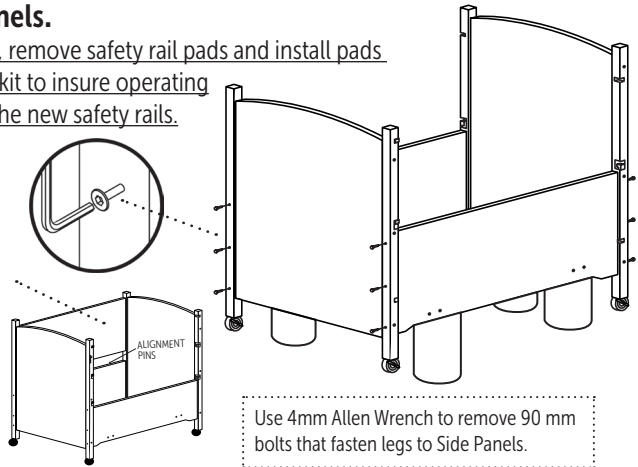
✓ SleepSafer® (Tall Bed)
Retrofit Extension

After unpacking extension and checking that contents are intact.

1 Remove mattress and safety rails. Elevate frame with cardboard lifts. Remove headboard and footboard from side panels.

If bed is padded, remove safety rail pads and install pads provided in this kit to insure operating clearance with the new safety rails.

IMPORTANT:
Carefully remove the top back panel of the bed. This step is unnecessary if the bed is a Dual View.



2 Arrange new legs for installation to headboard and footboard.

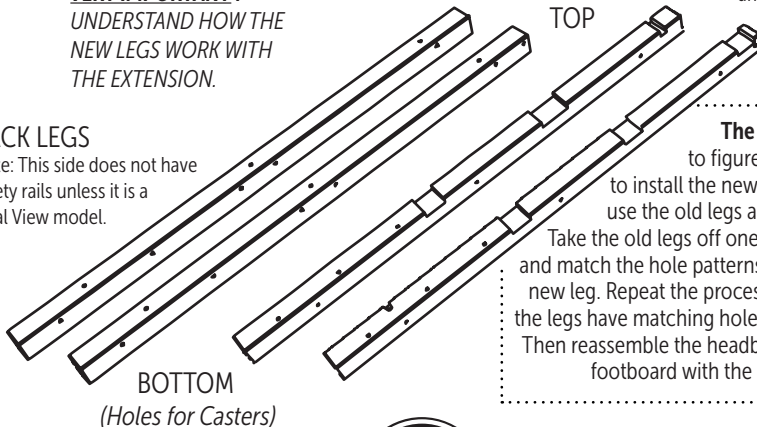
VERY IMPORTANT!
UNDERSTAND HOW THE NEW LEGS WORK WITH THE EXTENSION.

FRONT LEGS

Note: SleepSafer Dual View would use two sets as front and back legs.

BACK LEGS

Note: This side does not have safety rails unless it is a Dual View model.



SleepSafeBed.com

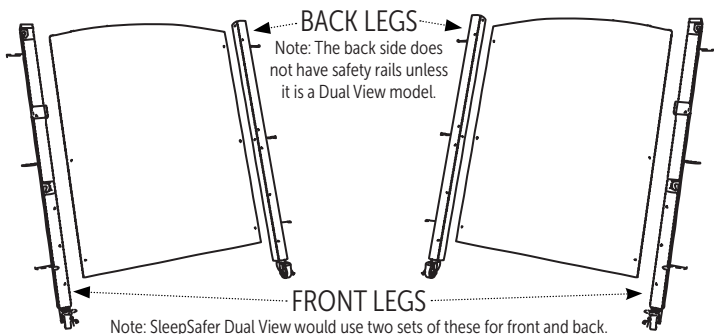
SLEEPSAFER EXTENSION



1-866-852-2337

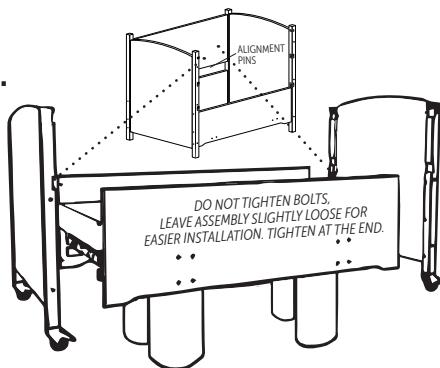
3629 Reed Creek Dr. | Bassett, VA 24055

3 Remove old legs and attach new legs to headboard & footboard.



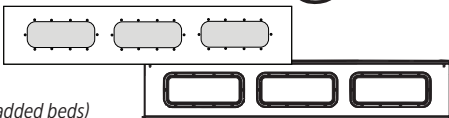
4 Reattach headboard and footboard to side panels.

Use 4mm Allen Wrench to fasten 90 mm bolts into existing barrel bolts into side panels. If necessary, use flathead screwdriver to realign them.



Repad Top Safety Rail

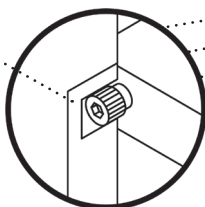
New pad installation will allow proper fit with the extension. The new pad will not have padding on the top edge. (This step is unnecessary on non-padded beds)



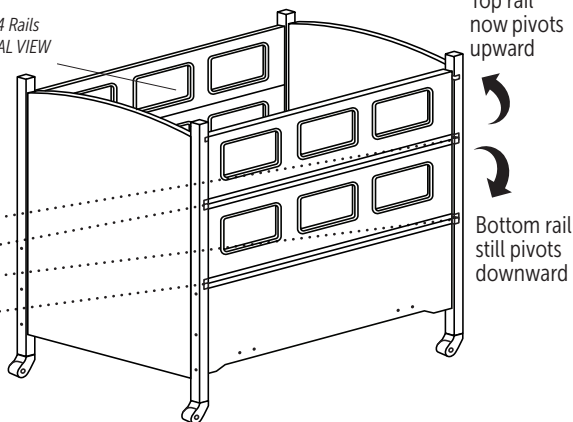
5 Re-install Mattress and Safety Rails

Install 4 Rails for DUAL VIEW option.

Strike



Hinge Pin



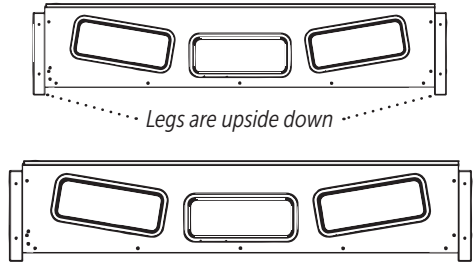
Insert the safety rail hinge pins into both posts from the down position. Then pivot the safety rail up to attach securely to the posts.

Assembly Guide

✓ SleepSafer® (Tall Bed)
Retrofit Extension

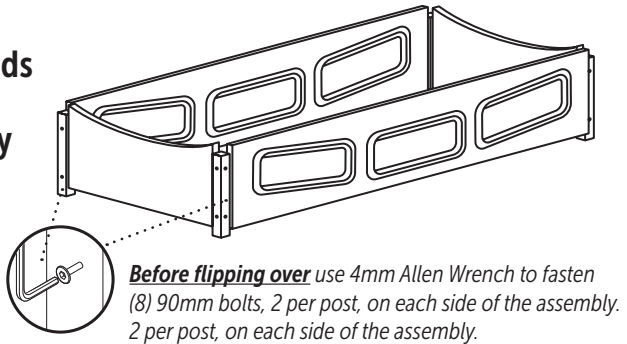
6 Set Extension Side Rails Upside Down and on their Legs.

Assemble this with two people, otherwise one person can assemble one panel at a time after the the rest of the bed is assembled.



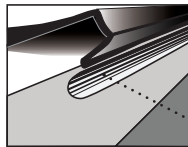
7 Attach Extension Ends to Side Rails. Flip Assembly Over.

Illustration shows assembly upside down. Flip unit over when assembly completed.

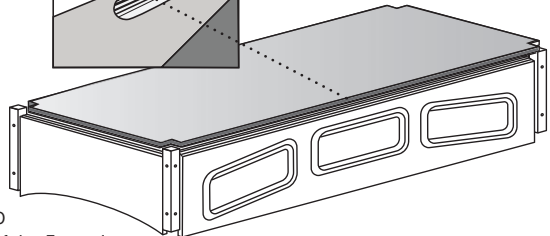


8 If equipped, attach the SUPERSCREEN TOP to the Extension with Trim-Lok.

Trim-Lok is sewn into the edges of the Top. Attach to Extension by snapping the Trim-Lok into the grooves on the edge of the Extension.



Trim-Lok Snaps into Groove Channel



SleepSafeBed.com

SLEEPSAFER EXTENSION



1-866-852-2337

3629 Reed Creek Dr. | Bassett, VA 24055

9 This installation for a SleepSafer® with an Extension is based on ordering it as a retrofit.

The complete SleepSafe® Extension Bed installation requires additional instructions.

A Loosen top bolts on all 4 bed posts.

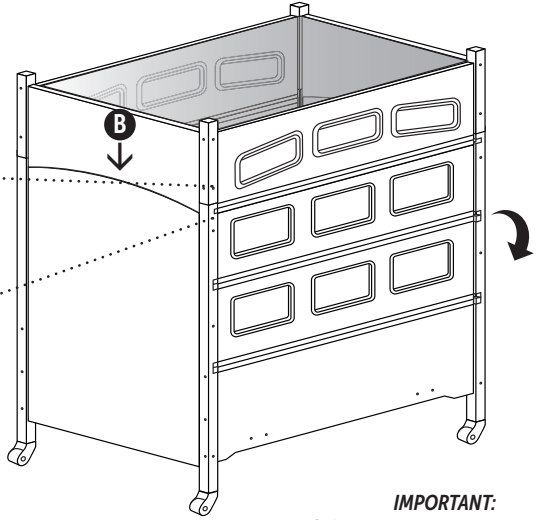
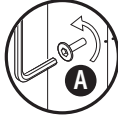
This allows play in the frame to fit the Extension.

B Set the Extension on top of bed posts.

Extension posts should align with the bed posts.

C Fasten Extension to the Bed.

Fasten (1) 90mm Allen Bolt into each post to attach Extension. Tighten all bolts.



IMPORTANT:

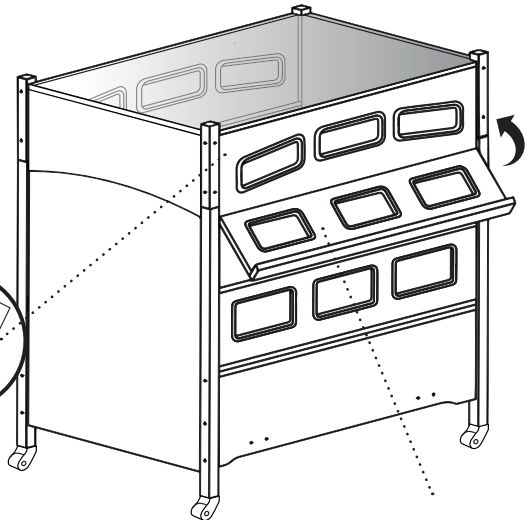
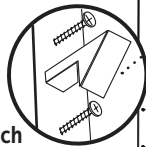
Bottom Safety Rail pivots down. Use both hands to carefully operate.

10 Install Safety Latch to Extension.

Align safety latch to threaded inserts located in the predrilled holes in the Extension. Use Phillips head screwdriver to mount the latch to the Extension.

The latch will catch and secure the top safety rail when raised into position.

Use hand to push latch up to release the rail.



IMPORTANT:

Be sure to support safety rail with both hands while moving the rail into their secure positions.

Durable Medical Equipment Provider

Bed Serial # _____

Installation Date _____

DME Provider _____

DME Contact _____

DME Address _____

DME Phone _____

DME Email _____

Installed by _____

Customer Service & Technical Support

SleepSafe® Bed Support

Hours: 8 AM to 5 PM / M-F / EST

Toll Free: 866.852.2337

Local: 276.627.0088

Fax: 276.627.0234

Web: SleepSafeBed.com

*In case of an EMERGENCY after hours,
please call 866-852-2337 for instructions
on how to access the on-call help desk.*

DME Provider Support

DME: _____

Contact: _____

Phone: _____

Email: _____

Web: _____