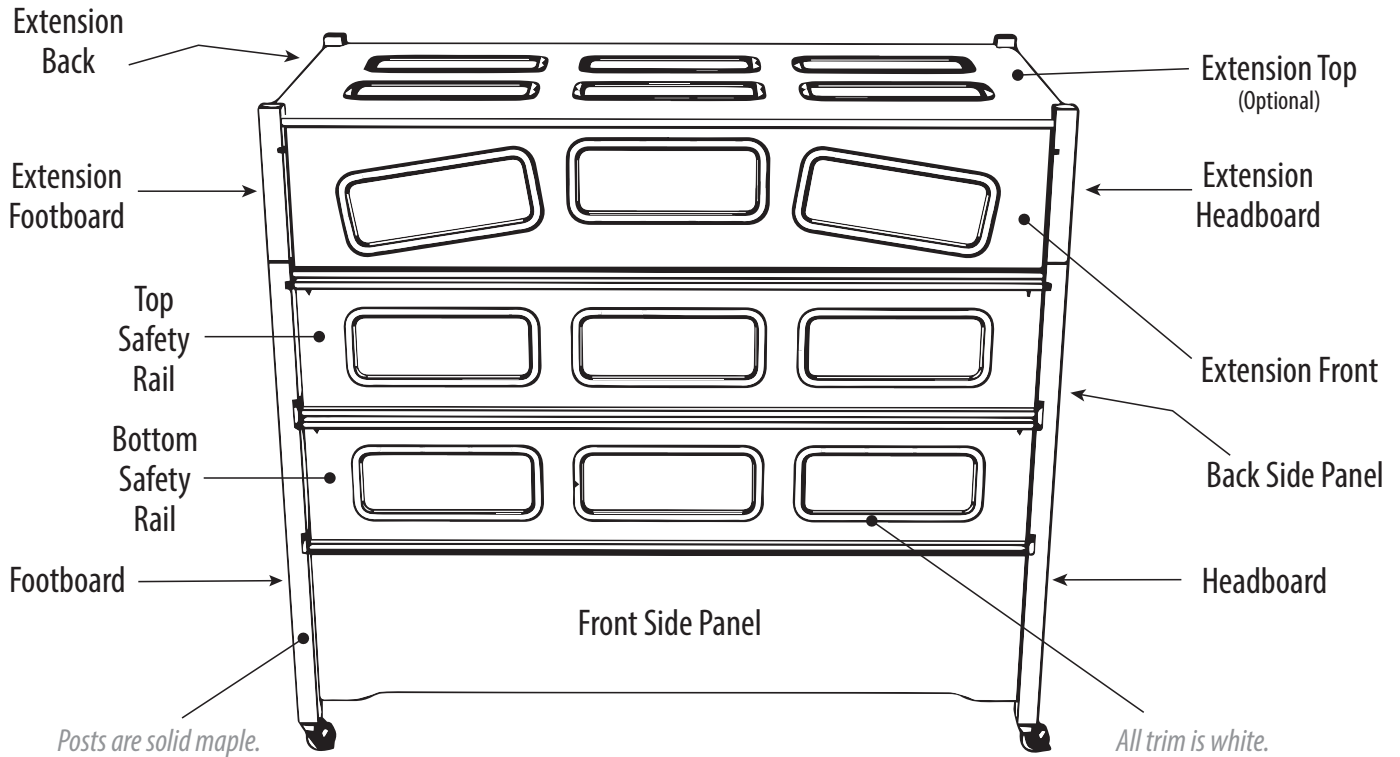
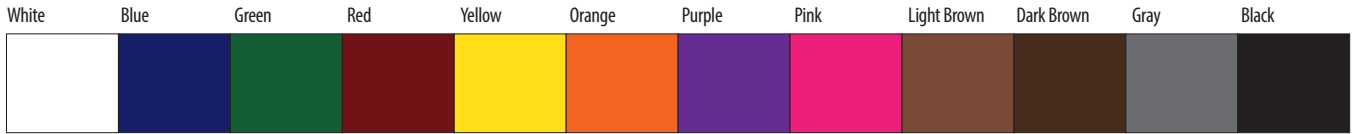


Color Selection Form - SleepSafer® Extension Bed

Directions: Use the below diagram to choose the colors for your SleepSafer® Extension Bed components. Then write your choices in the form below. Colors are approximate representations.



INFORMATION

DATE _____

SLEEPSAFE BED ORDER# _____

CUSTOMER NAME _____

CUSTOMER SIGNATURE _____

DME PROVIDER _____

DME CONTACT _____

PART COLOR CHOICE

HEADBOARD _____

FOOTBOARD _____

TOP SAFETY RAIL _____ (DV) _____

BOTTOM SAFETY RAIL _____ (DV) _____

FRONT SIDE PANEL _____ (DV) _____

BACK SIDE PANEL _____ (DV) _____

EXTENSION HEADBOARD _____

EXTENSION FOOTBOARD _____

EXTENSION FRONT _____

EXTENSION BACK _____

EXTENSION TOP _____ (Optional)



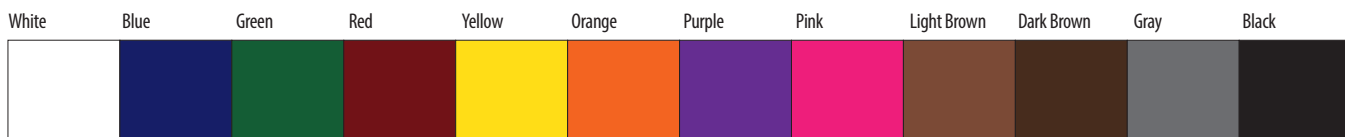
SleepSafeBed.com / 866-852-2337

For Dual View color selections, use the (DV) section of this form.

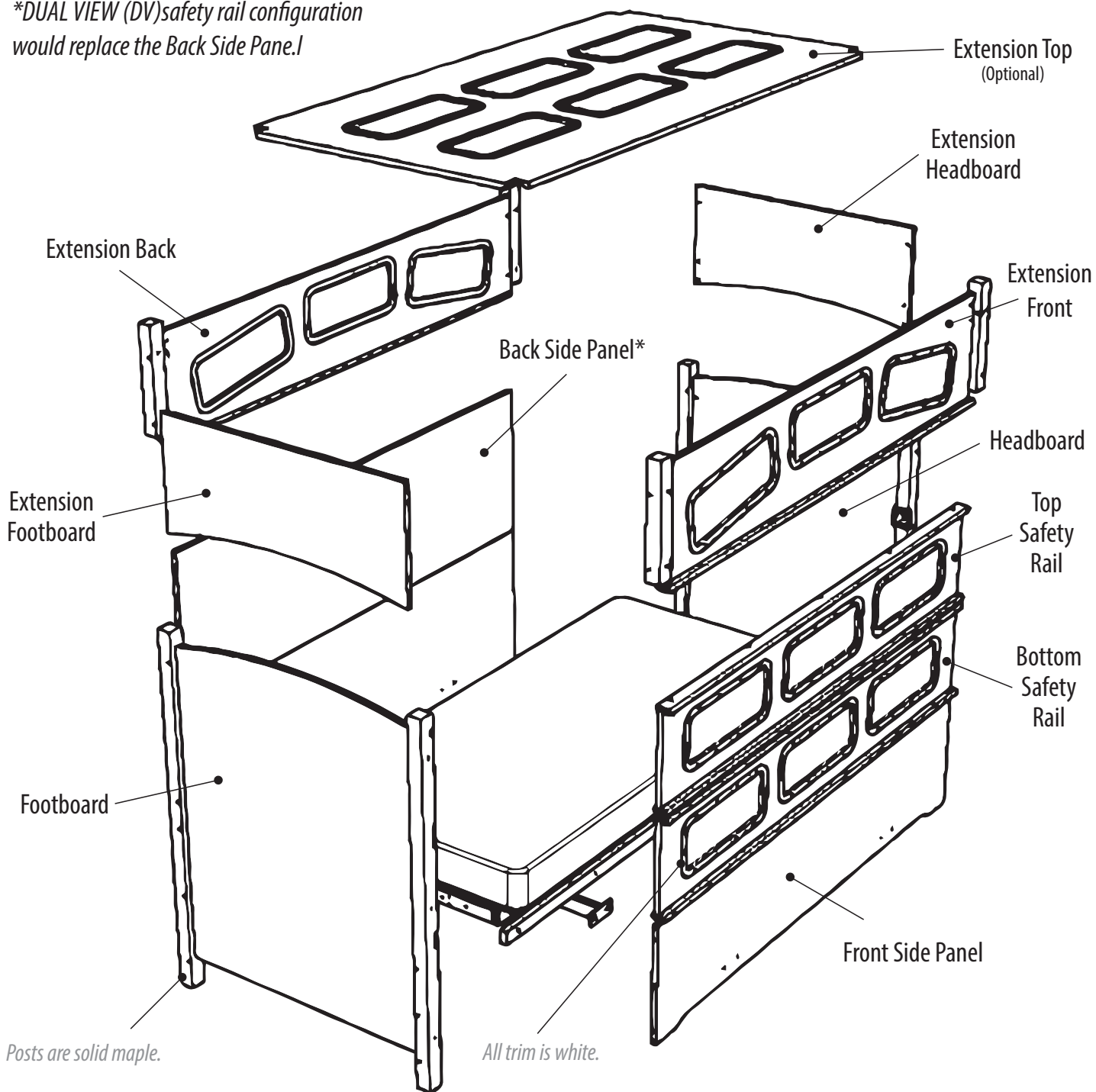
Color Selection Form - SleepSafer® Extension Bed

Directions: Use the below diagram to choose the colors for your SleepSafer® Extension Bed.

This illustration offers an expanded view of the bed with the extension. Then write your choices in the provide form.

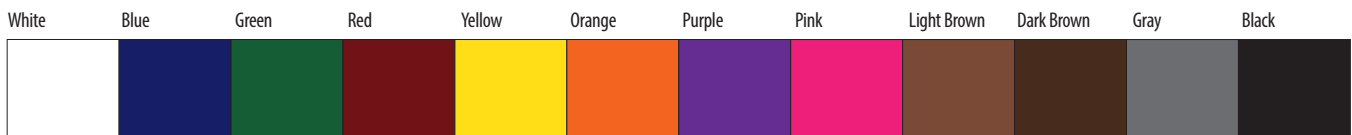
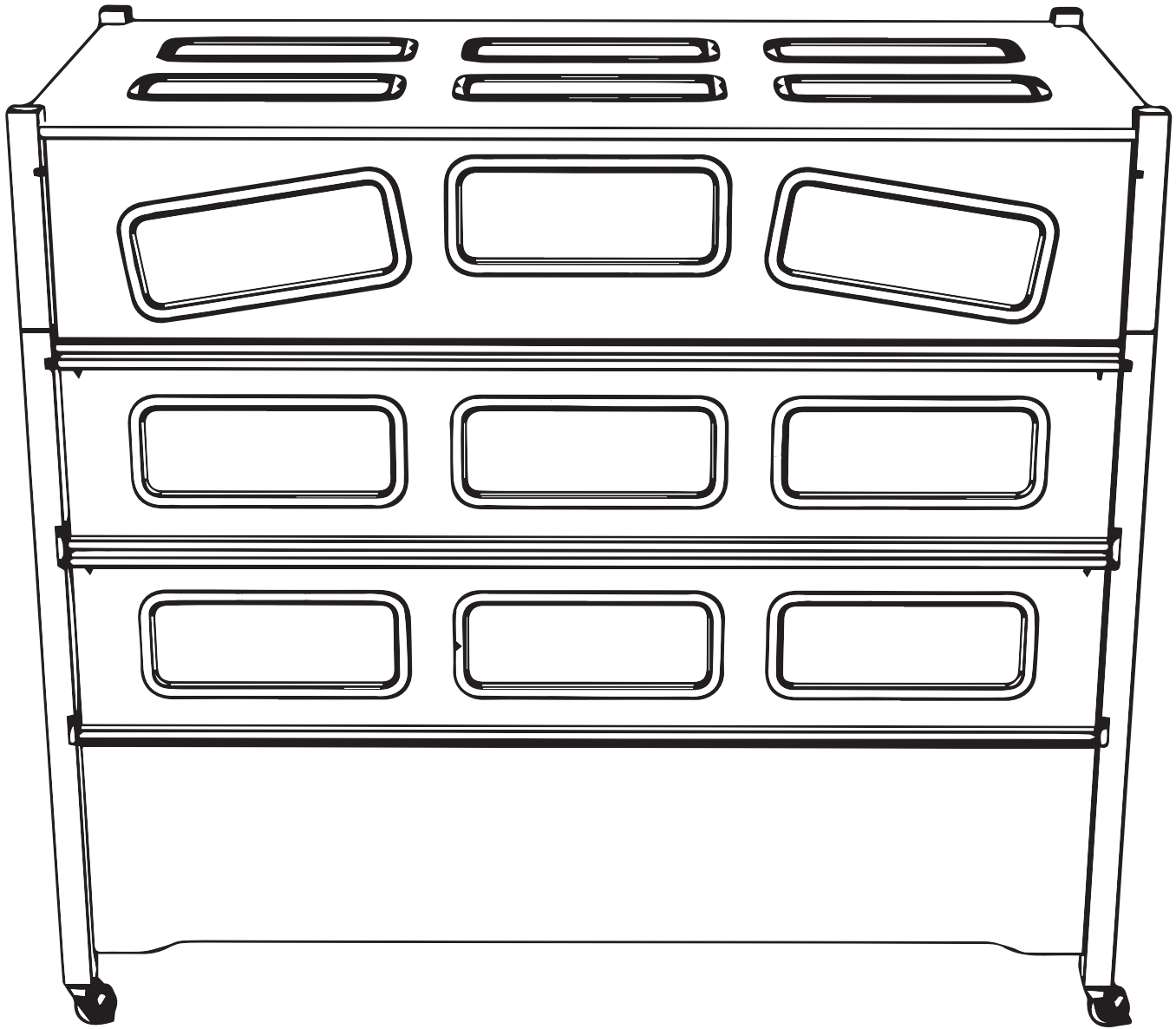


**DUAL VIEW (DV) safety rail configuration would replace the Back Side Panel.*



Color Selection Form - SleepSafer[®] Extension Bed

Directions: Use the below diagram and colors shown below to color your SleepSafer[®] Extension Bed.
Have fun coloring and then write your choices in the Color Selection form.



Use these available colors when you color your bed!

Examples of SleepSafer® Bed Color Combinations

Examples of some popular ways to apply color to your SleepSafer® Extension Bed



The All American



The Princess



Team Spirit



The Medley



SleepSafeBed.com / 866-852-2337