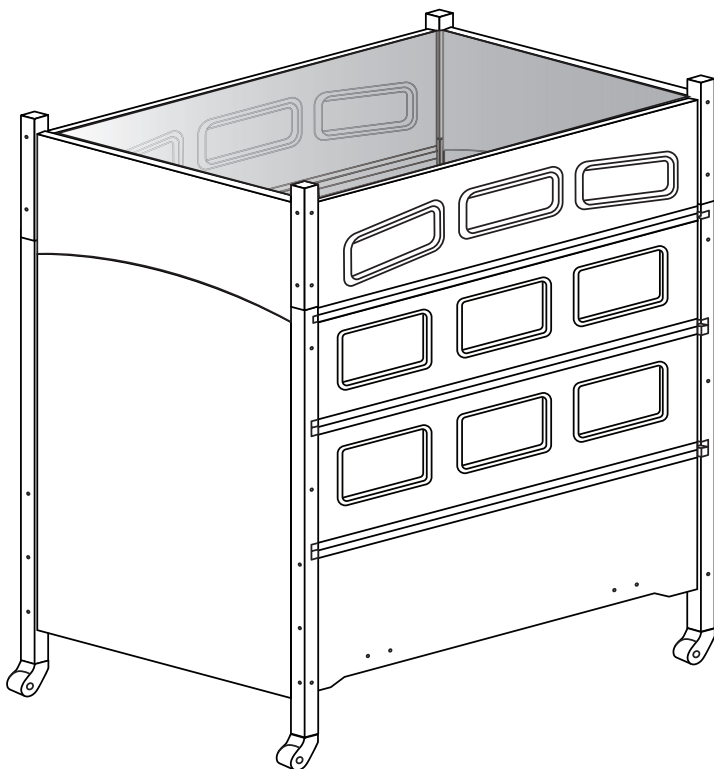


PRODUCT & ASSEMBLY GUIDE

SUPER SCREEN Top

FOR EXTENSION BEDS

The SUPER SCREEN Top is an option to fully enclose a SleepSafe® Extension Bed



SleepSafeBed.com | 866.852.2337

3629 Reed Creek Drive | Bassett, VA 24055

Assembly Guide

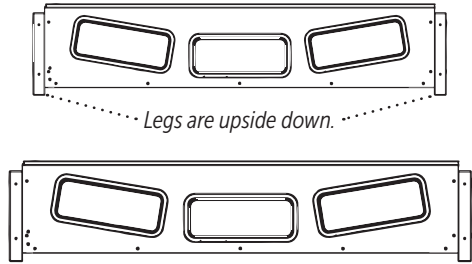
✓ SleepSafe® Extension Bed
(w/SUPER SCREEN Top)

After unpacking bed and checking the contents

1

Set Extension Side Rails Upside Down and on their Legs.

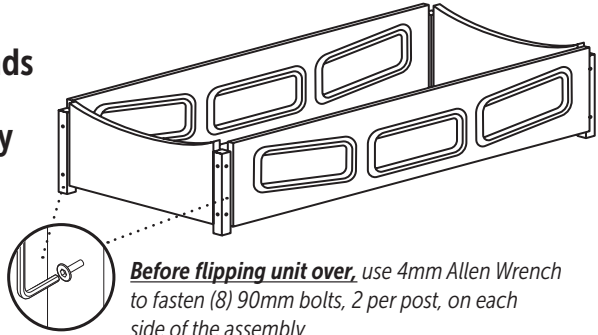
Assemble this with two people, otherwise one person can assemble one panel at a time after the the rest of the bed is assembled.



2

Attach Extension Ends to Side Rails. Flip Assembly Over.

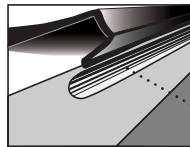
Illustration shows assembly upside down. Flip unit over when assembly is completed.



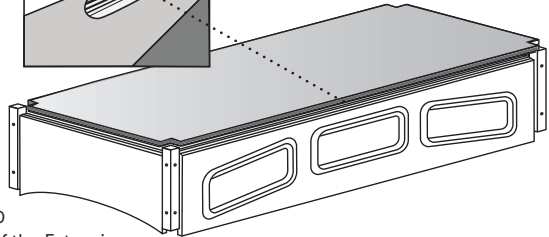
3

Attach SUPER SCREEN Top to the Extension with Trim-Lok.

Trim-Lok is sewn into the edges of the Top. Attach to Extension by snapping the Trim-Lok into the grooves on the edge of the Extension.



Trim-Lok Snaps into Groove Channel



SleepSafeBed.com

SLEEPSAFE EXTENSION BED



1-866-852-2337

3629 Reed Creek Dr. | Bassett, VA 24055

4

This SleepSafe® Extension Bed installation step is based on ordering it as a complete unit.

Retrofitting an extension to a SleepSafer® Tall Bed requires additional instructions.

A Loosen top bolts on all 4 bed posts.

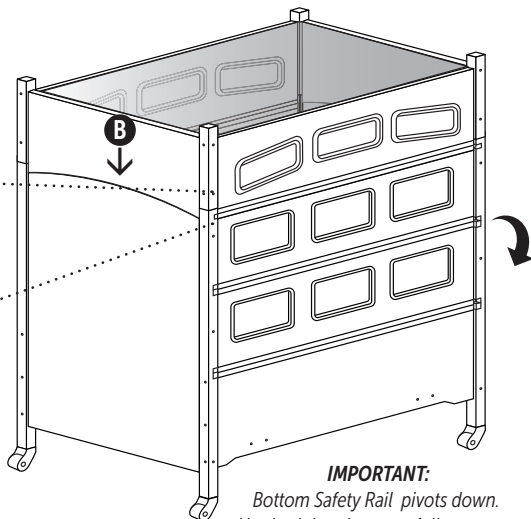
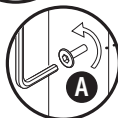
This allows play in the frame to fit the Extension.

B Set the Extension on top of bed posts.

Extension posts should align with the bed posts.

C Fasten Extension to the Bed.

Fasten (1) 90mm Allen Bolt into each post to attach Extension. Tighten all bolts.



IMPORTANT:

Bottom Safety Rail pivots down. Use both hands to carefully operate.

CAUTION:

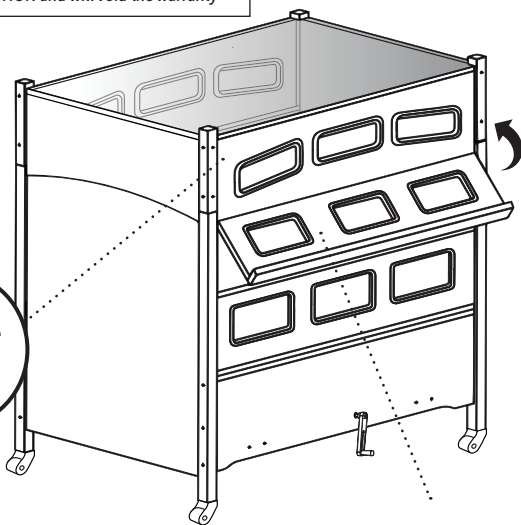
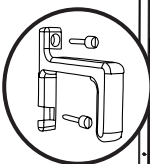
DO NOT MODIFY THIS INSTALLATION!

Removing this extension [or other modifications] can lead to an UNSAFE CONDITION and will void the warranty

5

Install Twist Latch to the Extension.

Align twist latch to threaded inserts located in the predrilled holes in the Extension. Use Phillips head screwdriver to securely screw the latch to the Extension.



Raise the top safety rail and secure it into position by twisting the latch closed.

Use hand to twist latch to release the rail

IMPORTANT:

Be sure to support safety rail with both hands while moving the rail into their secure positions.

Durable Medical Equipment Provider

Bed Serial # _____

Installation Date _____

DME Provider _____

DME Contact _____

DME Address _____

DME Phone _____

DME Email _____

Customer Service & Technical Support

SleepSafe Bed Support

Hours: 8 AM to 5 PM / M-F / EST

Fax: 276.627.0234

sleepsafebed@sleepsafebed.com

In case of an EMERGENCY

*after hours, please call 866-852-2337
for instructions on how to access the
on-call technician.*



SleepSafeBed.com | 866.852.2337

3629 Reed Creek Drive | Bassett, VA 24055

WI 820.120-16 V2 Super Screen Top for Extension Bed - Addendum