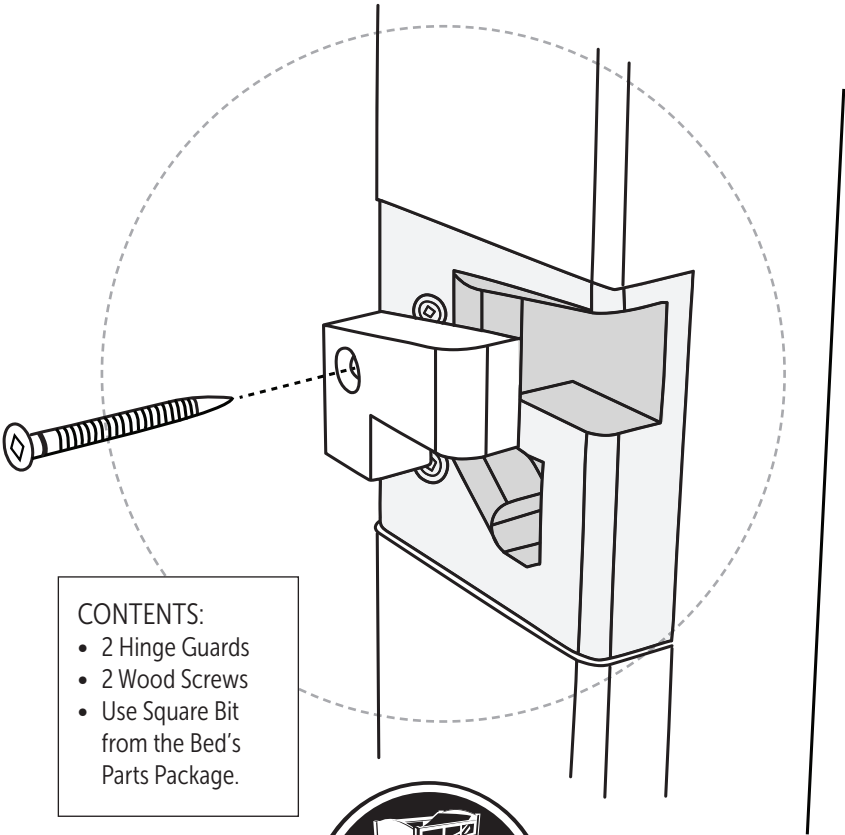


PRODUCT & ASSEMBLY GUIDE

Hinge Guard Installation

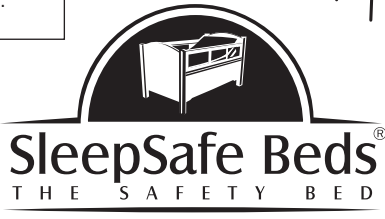
FOR SAFETY RAILS

This guide outlines the installation of a Hinge Guard to the Safety Rails on a SleepSafe® Bed.



CONTENTS:

- 2 Hinge Guards
- 2 Wood Screws
- Use Square Bit from the Bed's Parts Package.



SleepSafeBed.com | 866.852.2337

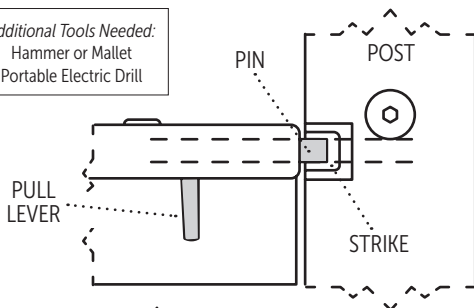
3629 Reed Creek Drive | Bassett, VA 24055

Safety Rail Adjustment: Up and Down

1 Does the Safety Rail need adjustment?

For proper operation, the pin should be centered in the strike. If not centered, follow these steps to center the pin in the strike.

Additional Tools Needed:
Hammer or Mallet
Portable Electric Drill

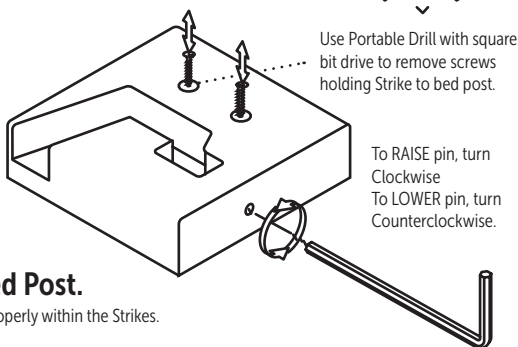


2 Remove Strike from Bed Post.

Use Drill with square bit drive to remove screws from the Strike. Gently tap the strike out of the bed post with hammer or mallet to access.

3 Adjust Set Screw.

Use 3/32" Allen wrench to adjust set screw. Keep in mind which direction that you need to adjust the pin. If the pin needs to be raised, turn the set screw clockwise. If the pin needs to be lowered, turn the set counter-clockwise.



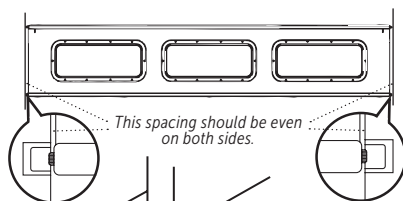
4 Reinsert Strike into Bed Post.

Check to see if the Pins are centered properly within the Strikes.

Safety Rail Adjustment: Side by Side

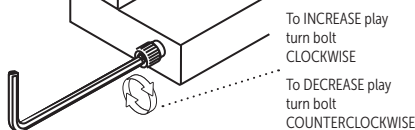
1 Does the Safety Rail need adjustment?

When up and secure, check the spacing between the end of the safety rail and the headboard and footboard legs. They should be spaced evenly.



2 Remove Safety Rail and adjust the play.

If spacing is not even, or there is too much side-to-side play in the rail, turn the black hex bolt using the 1/4" Allen Wrench provided.



SleepSafeBed.com

HINGE GUARD INSTALLATION



1-866-852-2337

3629 Reed Creek Dr. | Bassett, VA 24055

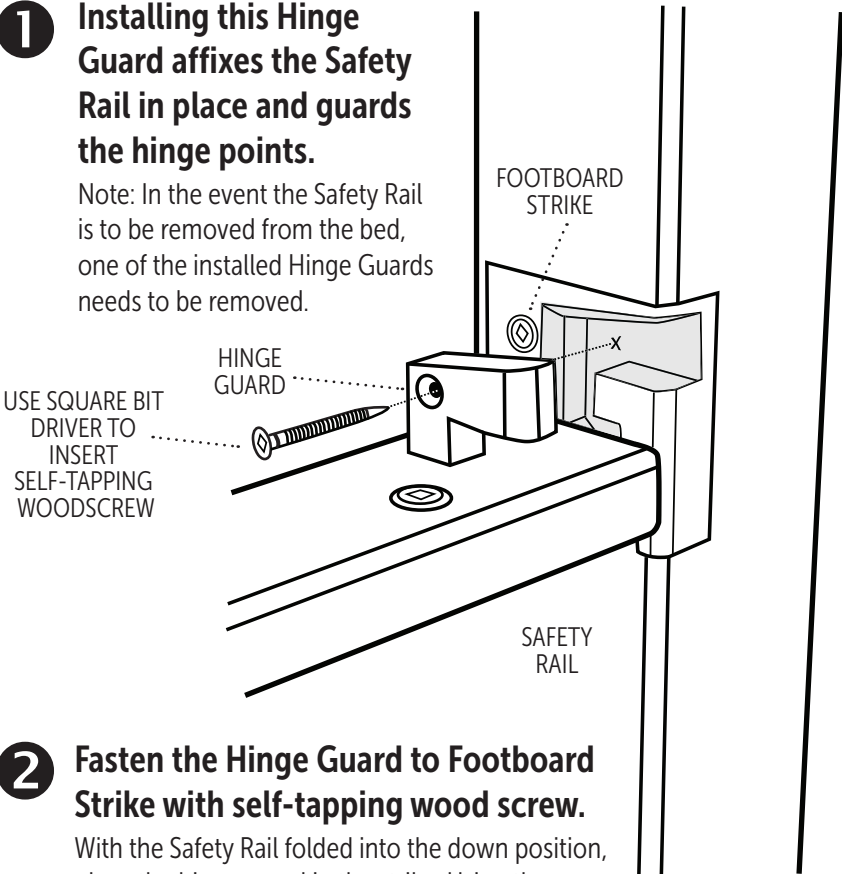
IMPORTANT: Before installing the Hinge Guard, check the position of the Safety Rail, when in place, to insure proper alignment. Is it opening and closing properly? Using the instructions to the left, adjust if necessary.

Even though the settings for the Safety Rails are pre-set at the factory, it is recommended that you check the alignment beforehand.

Installing the Safety Rail Hinge Guard

1 Installing this Hinge Guard affixes the Safety Rail in place and guards the hinge points.

Note: In the event the Safety Rail is to be removed from the bed, one of the installed Hinge Guards needs to be removed.



2 Fasten the Hinge Guard to Footboard Strike with self-tapping wood screw.

With the Safety Rail folded into the down position, place the hinge guard in the strike. Using the square bit driver, secure the Hinge Guard. Once installed, check the operation of the Safety Rail.

Durable Medical Equipment Provider

Bed Serial # _____

Installation Date _____

DME Provider _____

DME Contact _____

DME Address _____

DME Phone _____

DME Email _____

Customer Service & Technical Support

SleepSafe Bed Support

Hours: 8 AM to 5 PM / M-F / EST

Fax: 276.627.0234

sleepsafebed@sleepsafebed.com

In case of an EMERGENCY

*After hours, please call 866-852-2337
for instructions on how to access the
on-call technician.*



SleepSafeBed.com | 866.852.2337

3629 Reed Creek Drive | Bassett, VA 24055

WI 820.120-17 Rev. 02