

PRODUCT & ASSEMBLY GUIDE

InSIGHT™ Safety Bed

FIXED FOUNDATION (TWIN)



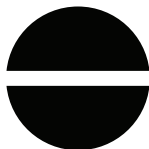
ELECTRIC



ARTICULATION



HI-LO

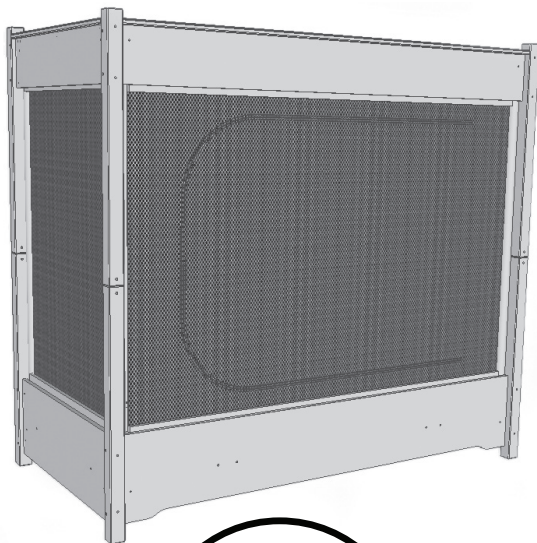


FIXED



MANUAL

The Fixed Foundation is stationary. The Bunkie Board is sewn together with the mattress as a combination to address the chance of burrowing and entrapment.



SleepSafeBed.com | 866.852.2337

3629 Reed Creek Drive | Bassett, VA 24055

Table of Contents

- 1 Pre-Assembly Information
- 2 Component Chart
- 3 Assembly Guide: Bottom Side Panels
- 4 Assembly Guide: Top Side Panels, Corner Brackets
- 5 Assembly Guide: Top Side Panels, Preparing SuperScreen Surround
- 6 Installing SuperScreen Surround
- 7 Installing SuperScreen Surround, Aluminum Cleats, Cross Supports
- 8 Installing Mattress/Bunkie Combination
- 9 Installing SuperScreen Top
- 10 Mattress Specifications
- 11 General Information
- 12 Warranty Information
- 13 DME Provider / Technical Support, Serial Number



Need Help?

Scan this QR Code to view step-by-step video assembly on our YouTube channel.

This guide is available as a PDF. Contact Customer Service at 866.852.2337 for more information.

Tools Needed for Assembly



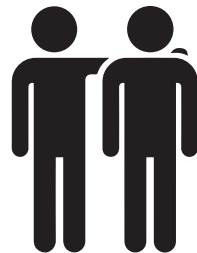
Allen Wrenches
(Supplied)



Phillips and Flat Head
Screwdrivers



3/8" Open or Closed
End Wrench



Two People for Assembly

Attention! Read Before Assembly

- **KEEP THIS PRODUCT GUIDE.**

IT CONTAINS ASSEMBLY INFORMATION AND THE BED'S SERIAL NUMBER

- CAREFULLY REMOVE AND LAY OUT ALL COMPONENTS. FAMILIARIZE YOURSELF WITH INSTRUCTIONS TO FACILITATE THE ASSEMBLY OF YOUR BED.
-

- CHECK COMPONENTS AND CONTENTS OF ENCLOSED HARDWARE BAG WITH THE HARDWARE LIST ON THE FOLLOWING PAGES.
-

- DUE TO THE PRESENCE OF SMALL PARTS DURING ASSEMBLY, KEEP OUT OF REACH OF CHILDREN.
-

- FOLLOW THE INSTRUCTIONS IN THE SPECIFIED ORDER TO ENSURE THE BED IS PROPERLY ASSEMBLED.
-

- COMPLETE ASSEMBLY. THE SUPER-SCREEN TOP MUST BE INSTALLED FOR PROPER INSTALLATION AND STABILITY. DO NOT OMIT ANY COMPONENT OR PROCESS.

- NEVER SUBSTITUTE OR ALTER PARTS, ONLY COMPONENTS AND HARDWARE SHIPPED WITH THE BED ARE USED FOR ASSEMBLY.
-

- CHECK THAT PADDING IS SEWN AND FIRMLY ATTACHED TO THE SUPER-SCREEN SURROUND AND TOP.
-

- CAUTION: POTENTIAL BED TIPPING: THE INSIGHT BED HAS AN ANTI-TIPPING STRAP ATTACHED TO THE HEADBOARD. IT IS RECOMMENDED TO ATTACH THIS SECURELY TO THE WALL FOR STABILITY.
-

- DO NOT SUBSTITUTE MATTRESS. MATTRESS IS SPECIFICALLY DESIGNED WITH THE BUNKIE BOARD AND FITTED FOR AN INSIGHT™ BED
-


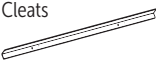






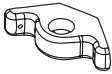

- NEVER USE THIS BED IF THERE ARE ANY MISSING FASTENERS, LOOSE JOINTS, BROKEN PARTS, TORN MESH, OR PADDING INADEQUACIES. CONTACT SLEEPSAFE BEDS AT 866.852.2337 FOR ASSISTANCE.

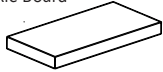

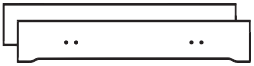

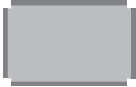






SleepSafeBed.com | 866.852.2337

3629 Reed Creek Drive | Bassett, VA 24055

Included Components for Assembly

Aluminum Side Cleats 	2
Aluminum End Cleats 	2
1" by 1" Aluminum Cross Supports 	2
25 mm Socket Bolts 	4
3/4" Frame Mounting Bolts 	12
90 mm Allen Bolts 	16
.875 Cross Slot Trimmer Screws 	16
Barrel Nuts 	16
Corner Support Brackets 	8
4mm Allen Wrench 	1

Mattress/Bunkie Board Combination 	1
Headboard and Footboard (Set) 	1
Bottom Side Panels 	2
Top Side Panels 	2
SuperScreen Top 	1
SuperScreen Surround (2 parts to be zipped together) 	1
Padded Corner Supports 	4
Casters (Optional Installation) 	4
Anti-Tip Kit Hardware (Partially installed) 	1



FIXED FOUNDATION



SleepSafeBed.com
1-866-852-2337

3629 Reed Creek Dr. | Bassett, VA 24055

InSIGHT™ Bed Assembly Guide

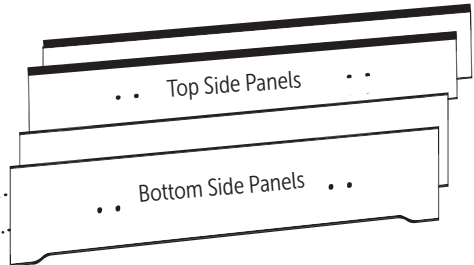
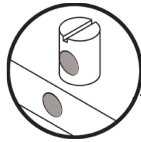
After unpacking bed and checking the contents.

1 Insert Barrel Bolts into Top and Bottom Side Panels.

Align and push in Barrel Nuts as shown. Use flathead screwdriver for assistance.

Each panel end needs 2 Barrel Bolts inserted.

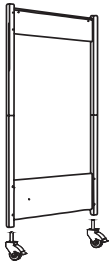
Align hole in Barrel Bolt to hole in Side Panel



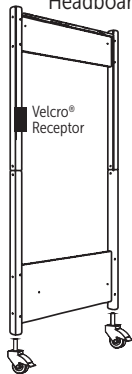
A total of 16 Barrell Bolts need to be inserted.

2

Footboard



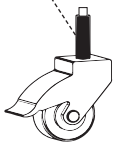
Headboard



Position Headboard and Footboard to prepare for Bottom Side Rail installation.

Two installers are recommended for this stage of assembly. Be sure that the headboard and footboard are aligned properly.

Before installation, be sure that the rubber sleeve on the stem is touching the top metal nut.

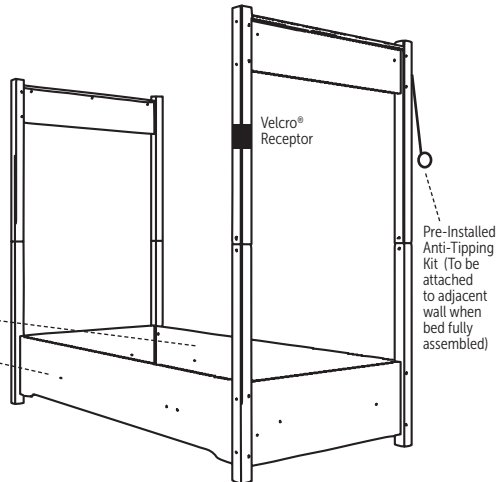


Caster installation (Optional)

Insert the stem into the hole in the bottom of the leg, first lock the caster, and then turn the entire caster clockwise until it expands and is securely in place.

Attach Bottom Side Panels.

With 4mm Allen Wrench, use (8) 90mm Allen Bolts to fasten both bottom side panels to the footboard and headboard. Leave bolts slightly loose, as they will be tightened later.



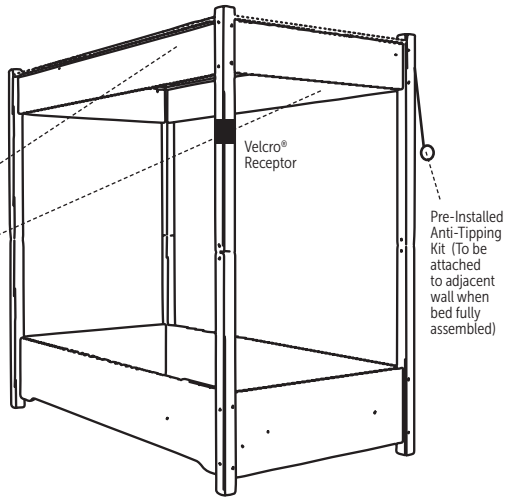
InSIGHT™ Bed Assembly Guide

3

Attach Top Side Panels.

With 4mm Allen Wrench, use (8) 90mm Allen Bolts to fasten both top side panels to the footboard and headboard.

Leave bolts slightly loose, as they will be tightened securely later.



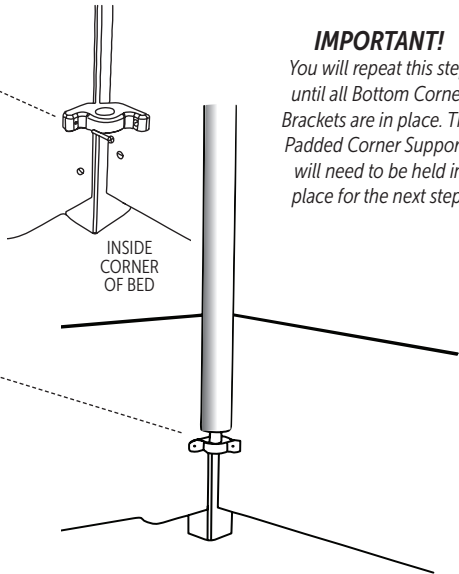
4

Attach Bottom Corner Brackets.

Use phillips head screwdriver with .875 cross slot trimmer screws to fasten Corner Brackets into each corner. Use two screws for each bracket.

Insert end of Padded Corner Supports into Bottom Brackets

Insert the end of the Padded Corner Supports into the Bottom Brackets. Install one padded corner support at a time. Then, see step #5.



FIXED FOUNDATION


InSIGHT™
by SleepSafe® Beds

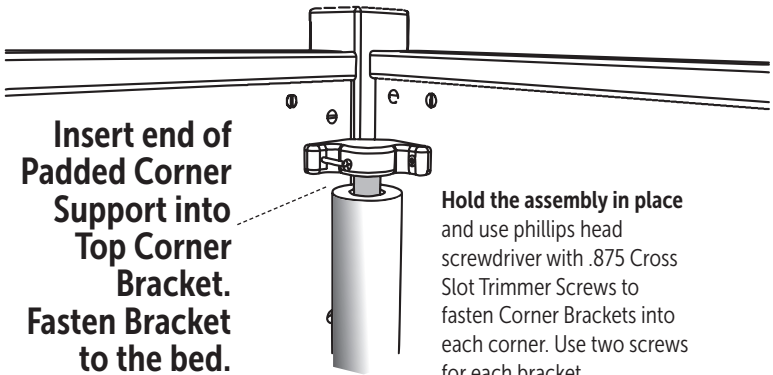
SleepSafeBed.com

1-866-852-2337

3629 Reed Creek Dr. | Bassett, VA 24055

5

Insert end of Padded Corner Support into Top Corner Bracket. Fasten Bracket to the bed.



Hold the assembly in place and use phillips head screwdriver with .875 Cross Slot Trimmer Screws to fasten Corner Brackets into each corner. Use two screws for each bracket.

IMPORTANT!

You will repeat this step until all four Padded Corner Supports are installed.

6

Zip together both parts of SuperScreen Surround to prepare for installation.

NOTE: AA & BB mark the points where the parts match when zipped together.

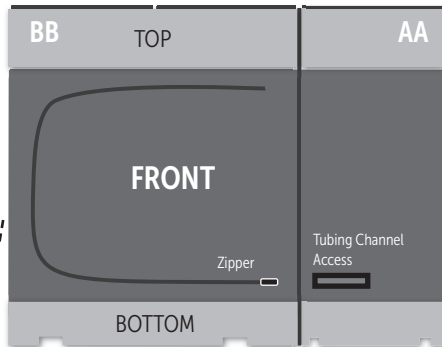
Take care to insure proper configuration of the Surround in this step.

Two installers are recommended to handle the surround as it is heavy and awkward to handle.

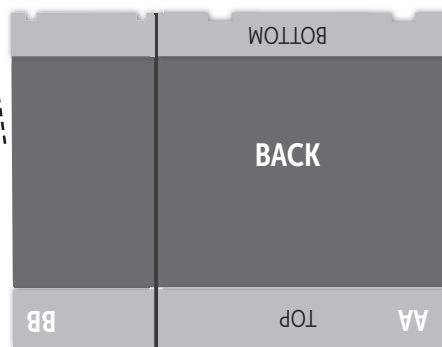
After you zip together the parts, LOCK ALL 4 BOTTOM CORNER TABS WITH THE S-BINER.



TOP: Trim-Lok snaps to bed caps



BOTTOM: Trim-Lok snaps to cleats. Cleats fasten to bed.



TOP: Trim-Lok snaps to bed caps

InSIGHT™ Bed Assembly Guide

7

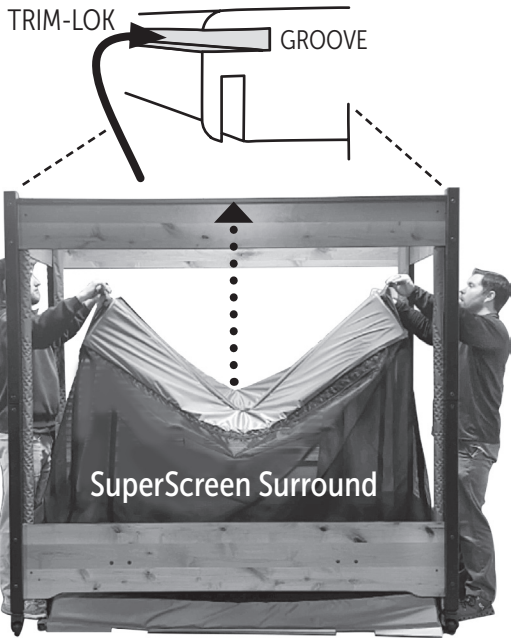
Place the SuperScreen Surround into the bed frame and lift it to the top.

Find the TRIM-LOK stitched into the top edge of the Surround.

First, SNAP INTO THE GROOVES in the caps of the Headboard and Footboard.

Then, starting in the center, snap the Trim-Lok into the grooves in the Side Panel caps.

All TRIM-LOK should be tightly snapped in place.



TRIM-LOK snaps the Surround completely around the bed frame.



8

Unzip the screen to access the inside of the bed.

Snap TRIM-LOK from Surround to bottom edge of Aluminum Cleats

Note: 4 Cleats and 2 Cross Supports need to be installed from inside the bed frame.



IMPORTANT! FOLLOW STEPS A,B,C

Securely SNAP the TRIM-LOK to the bottom edge of the Aluminum Cleats before fastening the cleats to the bed panels.

A

TRIM-LOK SNAPS TO BOTTOM EDGE OF CLEAT.



B

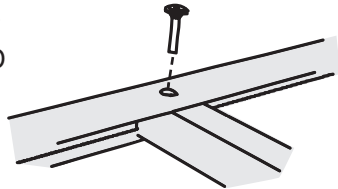
USE 3/4" BOLTS TO FASTEN END CLEATS TO HEADBOARD AND FOOTBOARD PANELS. THEN SIDE CLEATS TO SIDE PANELS.



Leave bolts slightly loose and tighten when complete.

C

LASTLY, USE 25MM SOCKET BOLTS TO FASTEN THE TWO CROSS SUPPORTS TO THE SIDE ALUMINUM CLEATS.



FIXED FOUNDATION



SleepSafeBed.com

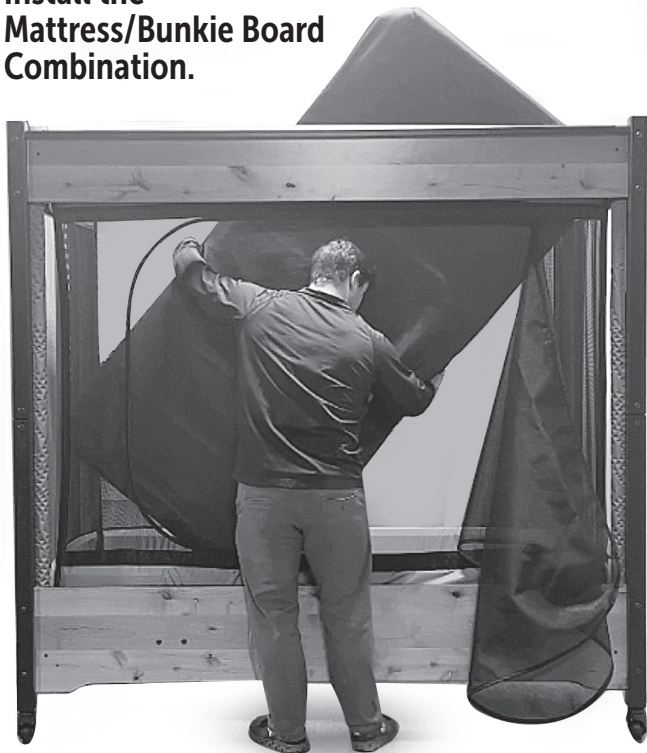
1-866-852-2337

3629 Reed Creek Dr. | Bassett, VA 24055

InSIGHT™ Bed Assembly Guide

9

Install the
Mattress/Bunkie Board
Combination.



The Mattress/Bunkie Board combination is not flexible and is more challenging to install than a normal flexible Mattress.

As pictured, it is best to lift one end into the bed at a time, then twist it down to rest firmly on the aluminum cleat foundation.



FIXED FOUNDATION



SleepSafeBed.com

1-866-852-2337

3629 Reed Creek Dr. | Bassett, VA 24055

DO NOT SKIP THIS STEP!

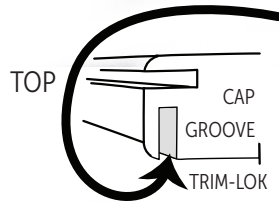
10 Place the top onto the bed frame.

Find the **TRIM-LOK** stitched into the edges.

Starting with the **Headboard and Footboard**, **SNAP TRIM-LOK** into the bottom side of the caps.

Then attach to the side panels, starting in the middle, working outward.

ANTI-TIP HARDWARE
Install necessary hardware for pre-installed cord to be attached to the wall to complete assembly.



Double Check: TIGHTEN ALL HARDWARE!

InSIGHT™ Bed Mattress Information

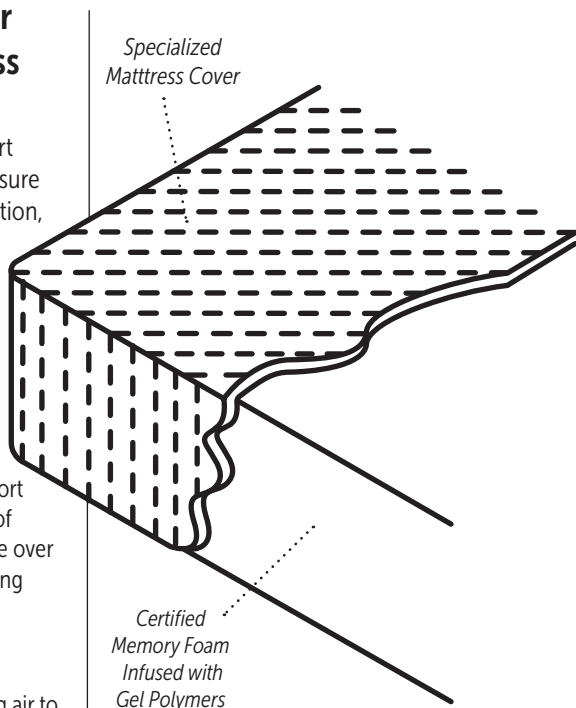
SleepSafe Bed® – Our Memory Foam Mattress with Gel Technology

SleepSafe® Bed mattress support surface provides optimized pressure redistribution, rapid heat dissipation, and increases breathability compared to standard foam.

- Reduced incidence of pressure ulcers by channeling heat away from the body much faster than standard foam, virtually ridding perspiration moisture.
- Superior pressure redistribution achieved by providing more support and less cradling at higher levels of compression, distributing pressure over a larger surface area and eliminating static fatigue.

How Does It Work?

The technology works by allowing air to pass through open cells, channeling it away from the body instead of trapping it within the closed cells of traditional memory foam. The infusion of gel polymers throughout the foam contributes both cooling properties and the virtual elimination of static fatigue. As a result of the marriage between open cell foam and gel infusion, the mattress holds its shape better, redistributes pressure over a larger surface area, and successfully wicks heat away from the body, leaving patients cool, dry, and comfortable.



Foam products meet the following criteria:

- | | |
|-------------------------|--------------------------------------|
| • Low Emissions (VOC's) | • Performance – Tested |
| • BPA Phthalate – Free | • Made without Ozone Depleters |
| • CFC – Free | • Mercury, Lead and Heavy Metal Free |
| • BHT – Free | • Made without Formaldehyde |
| • PBDE – Free | • Methylene Chloride – Free |
| • Emissions – Tested | • Environmentally Innovative |
| • Content – Tested | • Material Certification |

Other notes about the foam in mattresses:

- Foam products use a blend of natural oil-based and conventional polyols.
- Benefits farmers looking for a new market for crops .
- Polyol is made partially from plant-based renewable oils such as soy bean and castor beans.



FIXED FOUNDATION

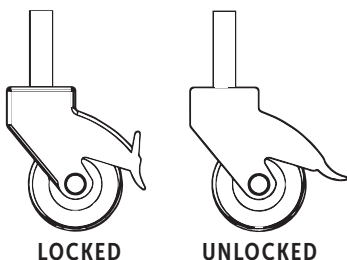


SleepSafeBed.com

1-866-852-2337

3629 Reed Creek Dr. | Bassett, VA 24055

InSIGHT™ Bed General Information



How Casters Work.

The casters are not installed at the factory but are available to insert into the bottom of the headboard and footboard legs. To install casters, lock and turn the entire caster clockwise until secure. The casters should be locked with the tab down when the bed is in use to add to the bed's stability. The tab is in the down position and unlocked when the tab is up.

About SuperScreen

SuperScreen passes as lead free, phthalate free and meets "Greenguard Gold" safety standards, ensuring the products are free from harmful volatile organic compounds (VOC's) and safe for your family. Super Screen is extremely tough! It also protects against the sun's harmful ultraviolet rays.

For cleaning, a little dish detergent mixed with water works wonderfully using a sponge. Avoid abrasives, bleach or heavy chemicals.

Padding Information

Materials:

- 70 Denier Nylon Fabric Cover with a Fluid Resistant Healthcare Coating
- 3/4" High Density Foam Padding

Padding Features:

The padding on the InSIGHT™ Bed is part of the SuperScreen surround. It is sewn into the bottom and top of the surround and is fastened with TRIM-LOK to the top and bottom of the bed frame.

- Padding covers the corner supports.
- Anti-Static
- Non-allergenic
- Bacteria Resistant
- Stain Resistant
- Malodor Protection
- Fluid Resistant
- Fungal Resistant
- Flame Retardant
- Tear Resistant

Padding Maintenance

- For cleaning, use warm water and a mild cleanser. Wipe surface gently.

Important Note:

- Padding is installed at the factory and will cover ALL 4 sides. Any alteration to the padding will void the warranty.

Padding questions?

- Please contact customer support for any specific information about padding.

Bed/Mattress Warranty Information

Full One-Year InSIGHT™ Bed Warranty

The InSIGHT™ Bed is warranted against defects in workmanship and components for a period of one year from the date of purchase. SleepSafe® Beds, LLC will repair or replace any defective part at no cost to the purchaser if the shipping of the part is within the continental United States.

Limited Five Year InSIGHT™ Bed Warranty

During the second through fifth years from the date of purchase, SleepSafe® Beds, LLC will replace any part found to be defective. Purchaser shall pay all service, repair, and shipping costs related to the replacement of the defective part.

Terms and Conditions for InSIGHT™ Bed Warranty

An InSIGHT™ Bed is expressly prescribed for a single user. This warranty will cover the bed for this user only. Warranty coverage beyond this use is handled on a case by case basis. This warranty applies to normal use and does not cover any damage caused by excessive wear, abuse, misuse, mishandling or modification of the product.

InSIGHT™ Bed Mattress Warranty Information

All InSIGHT™ Bed models are shipped with a CertiPUR-US® memory foam mattress with gel infused technology. This surface supports up to 350 lbs. and provides optimized pressure redistribution, rapid heat dissipation and increased breathability. Memory foam infused with gel polymers is designed for patient comfort as well as clinical superiority. Benefits include: reduced incidence of pressure ulcers by channeling heat away from the body faster than standard foam, virtually eliminating perspiration moisture. The mattresses are water resistant, but are not waterproof.

Full One-Year Warranty for InSIGHT™ Bed Mattress

Full one year warranty from date of purchase. SleepSafe® Beds, LLC will replace the mattress due to a defect in the materials and workmanship of the mattress, at no cost to the purchaser.

Limited Five Year Warranty for InSIGHT™ Bed Mattress

During the second to fifth year, SleepSafe® Beds, LLC will replace the mattress due to a defect in the materials or workmanship of the mattress, with the shipping costs to be paid by purchaser.

Terms and Conditions for InSIGHT™ Bed Mattress Warranty

Any breakdowns or deterioration of the product caused by factors other than a defect in the materials and workmanship of the mattress, such as repeated exposures to bodily fluids by incontinence, are not covered by this warranty.

Durable Medical Equipment Provider

Bed Serial # _____

Installation Date _____

DME Provider _____

DME Contact _____

DME Address _____

DME Phone _____

DME Email _____

Installed by _____

Customer Service & Technical Support

SleepSafe Bed Support

Hours: 8 AM to 5 PM / M-F / EST

Toll Free: 866.852.2337

Local: 276.627.0088

Fax: 276.627.0234

Web: SleepSafeBed.com

In case of an EMERGENCY after hours, please call 866-852-2337 for instructions on how to access the on-call technician.

DME Provider Support

DME: _____

Contact: _____

Phone: _____

Email: _____

Web: _____



SleepSafeBed.com | 866.852.2337

3629 Reed Creek Drive | Bassett, VA 24055

WI-820.120-23 Rev. 03