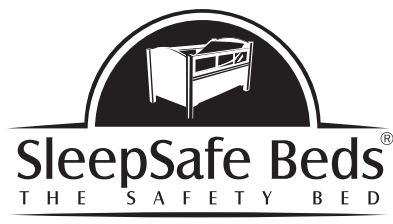
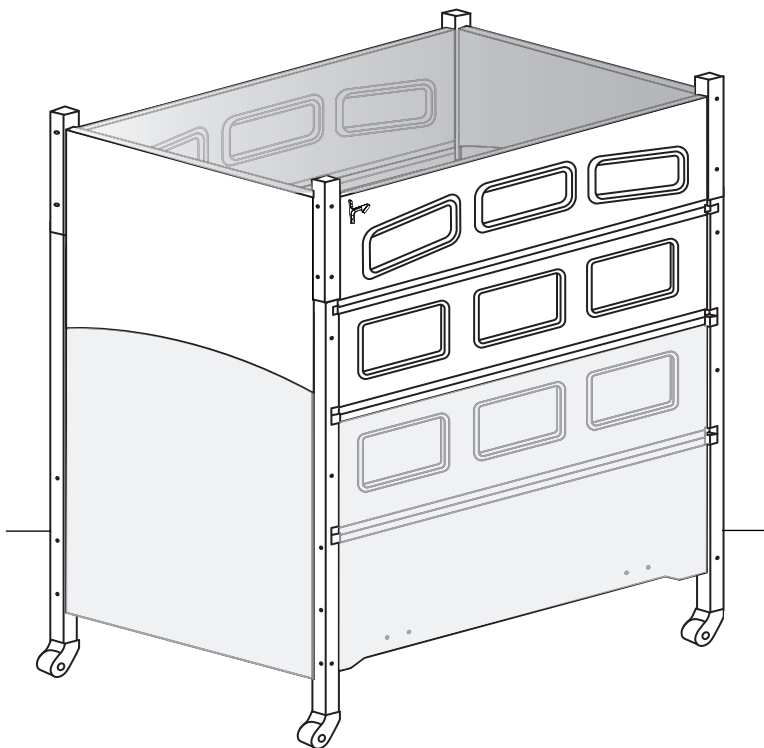


PRODUCT & ASSEMBLY GUIDE

SleepSafe II Bed

EXTENSION RETROFIT WITH **SUPERSCREEN**

The SleepSafe® II (Medium Bed) Extension is a RETROFIT ONLY. It is designed to add safety rail height to an existing SleepSafe® II Bed.



SleepSafeBed.com | 866.852.2337

3629 Reed Creek Drive | Bassett, VA 24055

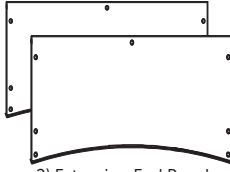
SLEEPSAFE II (MEDIUM BED) EXTENSION

Included Components for Assembly

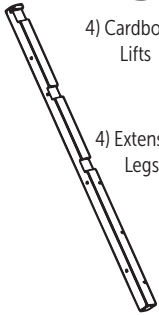
Extra, spare hardware will be included with this assembly,



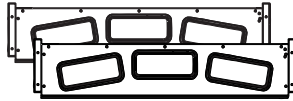
4) Cardboard Lifts



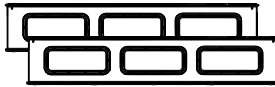
2) Extension End Panels



4) Extension Legs



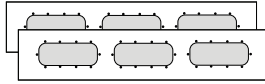
2) Extension Side Panels



2) Safety Rails



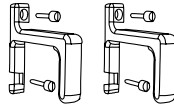
12) 40 mm Allen Bolts (Twin)
18) 40 mm Allen Bolts (Full/Queen)



2) Replacement Pads
(Note: Pads are only included when the existing bed is padded.)



16) 90 mm Allen Bolts



2) Twist Latch Extension Latch Assemblies
(Necessary for SleepSafer Dual Views)



Barrel Bolts
A quantity is supplied if needed for panel insertion and attachment.



Optional SuperScreen Top



1) Square Bit
For use to adjust strike plate on safety rail if necessary.

Assembly Tools



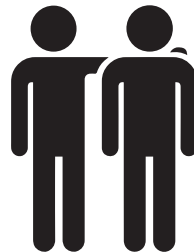
Allen Wrenches (Supplied)



Flat Head Screwdriver



Phillips Head Screwdriver



Two People for Assembly

*This assembly guide is available as a PDF.
Technician available at 866.852.2337 for additional assistance.*

Note! Read Before Assembly

- **KEEP THIS PRODUCT & ASSEMBLY GUIDE.**

IT WILL USE THE EXISTING SERIAL NUMBER OF THE SLEEPSAFE II@ BED.

- CAREFULLY REMOVE AND LAY OUT ALL COMPONENTS. FAMILIARIZE YOURSELF WITH INSTRUCTIONS TO FACILITATE THE ASSEMBLY OF YOUR BED.
- CHECK COMPONENTS AND CONTENTS OF ENCLOSED HARDWARE BAG WITH THE HARDWARE LIST ON PREVIOUS PAGE.
- DO NOT THROW AWAY THE FOUR CARD-BOARD STANDS FOR ELEVATING THE BED DURING THE EXTENSION ASSEMBLY.
- DUE TO THE PRESENCE OF SMALL PARTS DURING ASSEMBLY, KEEP OUT OF REACH OF CHILDREN.
- IMPORTANT: FOLLOW THE INSTRUCTIONS IN THE SPECIFIED ORDER TO ENSURE THE BED IS PROPERLY ASSEMBLED.
- COMPLETE ASSEMBLY. ENSURE EACH COMPONENT IS INSTALLED. DO NOT OMIT ANY COMPONENT FROM INSTALLATION.
- NEVER USE THIS BED IF THERE ARE ANY MISSING FASTENERS, LOOSE JOINTS, BROKEN PARTS, TORN MESH, OR PADDING INADEQUACIES. CONTACT SLEEPSAFE BEDS AT 866.852.2337 FOR ASSISTANCE.

- NEVER SUBSTITUTE OR ALTER PARTS. THE EXTENSION MUST BE FULLY ASSEMBLED WITH PROVIDED COMPONENTS.
- IF EXTENSION IS PADDED, CHECK THAT ALL PADDING IS FIRMLY ATTACHED.
- WARNING STRANGULATION HAZARD: STRINGS CAN CAUSE STRANGULATION! NEVER PLACE BED NEAR WINDOW WHERE CORDS FROM BLINDS OR DRAPES MAY STRANGLE A CHILD.
- KEEP REMOTE CONTROL CORD AWAY FROM BED WHILE MOVING THE SAFETY RAIL UP OR DOWN TO PREVENT PINCHING OF THE CORD.
- KEEP REMOTE CONTROL CORD AWAY FROM BED'S INTERIOR TO PREVENT ENTANGLEMENT AND STRANGULATION
- AN UNINTERRUPTED POWER SUPPLY (UPS) UNIT IS RECOMMENDED FOR MISSION CRITICAL CONTROL OF BED FOR USER
- TEST ALL LATCHES FOR CORRECT INSTALLATION, before SleepSafe II Bed with Extension is put into service.



SleepSafeBed.com | 866.852.2337

3629 Reed Creek Drive | Bassett, VA 24055

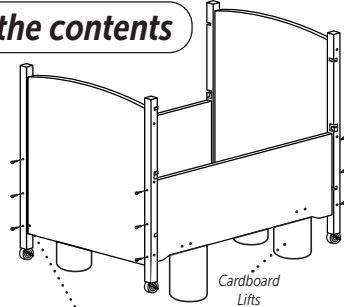
Assembly Guide

✓ **SleepSafe II (Medium Bed)
Extension**

After unpacking bed and checking the contents

1

Remove safety rails. If bed is padded, remove safety rail pads and install pads provided in this kit to insure operating clearance with the new safety rails. Elevate frame with cardboard lifts. Remove headboard and footboard from side panels.

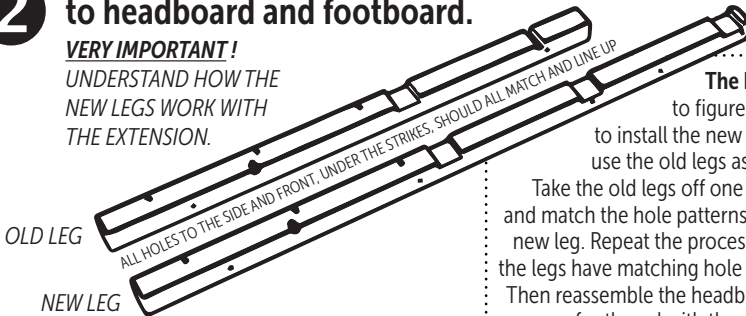


Use 4mm Allen Wrench to remove 90 mm bolts that fasten legs to Side Panels.

2

Arrange legs for installation to headboard and footboard.

VERY IMPORTANT!
UNDERSTAND HOW THE NEW LEGS WORK WITH THE EXTENSION.



The best way

to figure out how to install the new legs is to use the old legs as a guide.

Take the old legs off one at a time and match the hole patterns with the new leg. Repeat the process until all the legs have matching hole patterns. Then reassemble the headboard and footboard with the new legs.

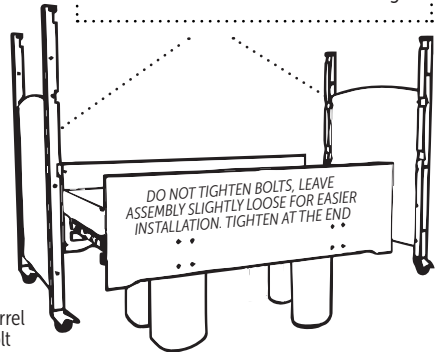
3

Attach new legs to headboard & footboard. Reattach headboard and footboard to side panels.

Use 4mm Allen Wrench to fasten 90 mm bolts into existing barrel bolts in side panels
Use flathead screwdriver to realign barrel bolts if necessary.



Barrel Bolt



SleepSafeBed.com

SLEEPSAFE II EXTENSION



1-866-852-2337

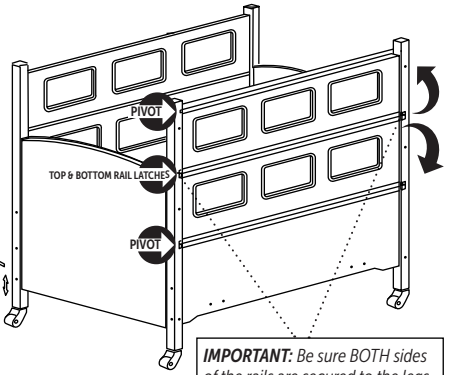
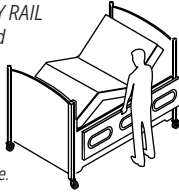
3629 Reed Creek Dr. | Bassett, VA 24055

4

Install all four safety rails to new legs.

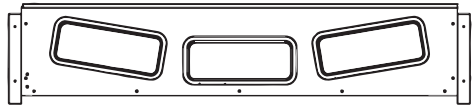
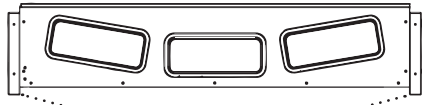
TOP SAFETY RAIL cannot be removed once installed as it pivots upward and attaches to the front of the new Extension. The BOTTOM SAFETY RAIL pivots downward and is removable by lifting the rail up and out of the strikes.

To adjust safety rail operation, see later page.

**5**

Set Extension Side Rails Upside Down and on their Legs.

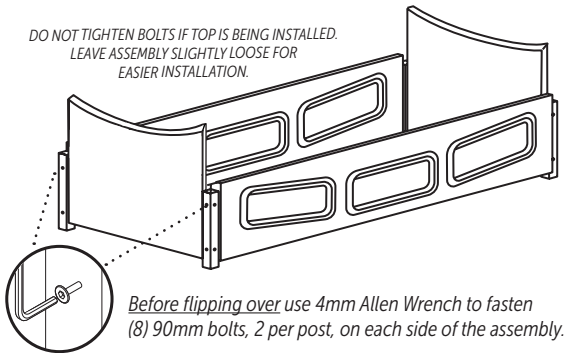
Assemble this with two people, otherwise one person can assemble one panel at a time after the rest of the bed is assembled.

**6**

Attach Extension Ends to Side Rails. Flip Assembly Over.

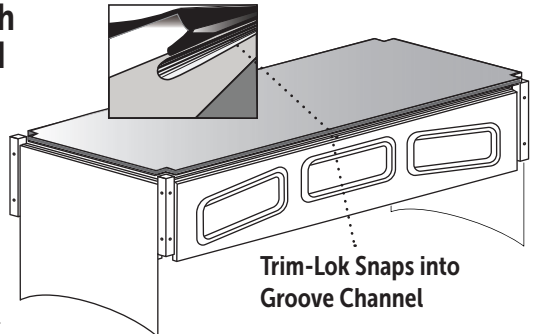
Illustration shows assembly upside down. Flip unit over when assembly completed.

DO NOT TIGHTEN BOLTS IF TOP IS BEING INSTALLED. LEAVE ASSEMBLY SLIGHTLY LOOSE FOR EASIER INSTALLATION.

**7**

If equipped, attach the SUPERSCREEN TOP to the Extension with Trim-Lok.

Trim-Lok is sewn into the edges of the Top. Attach to Extension by snapping the Trim-Lok into the grooves on the edge of the Extension.



8

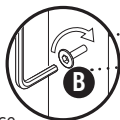
This SleepSafe® II Medium Bed Extension installation is based on retrofitting only. A SleepSafe II Medium Bed assembly requires additional instructions.

A With Assembly bolts loosened, set the Extension on top of the bed legs.

Loose assembly allows easier alignment of the bed legs

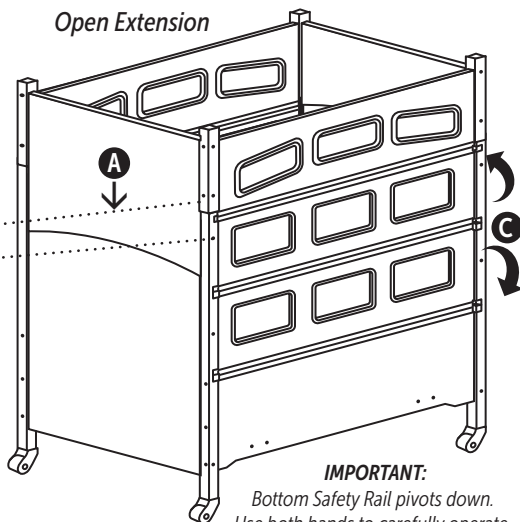
B Fasten Extension to the Bed.

After Extension in place, fasten (2) 90mm Allen Bolts into each leg. Tighten all bolts.



C Check Safety Rail Operation.

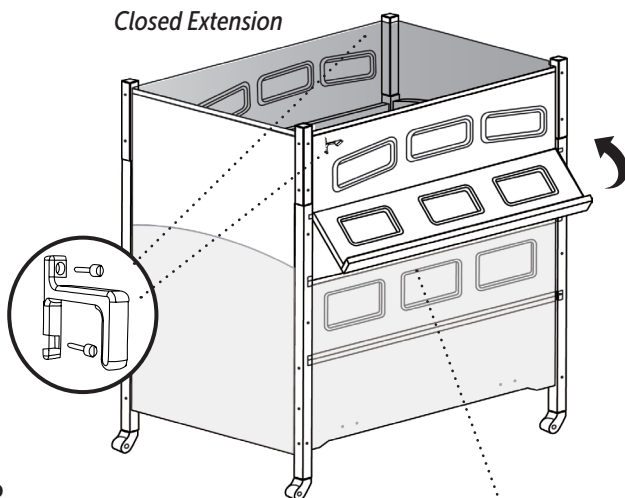
Safety Rails should pivot up and down smoothly and securely attach to the strikes in the legs.



CAUTION:
DO NOT MODIFY THIS INSTALLATION!
Removing this extension [or other modifications] can lead to an UNSAFE CONDITION and will void the warranty

9 Install Twist Latch to the Extension.

Align twist latch to threaded inserts located in the predrilled holes in the Extension. Use Phillips head screwdriver to securely screw the latch to the Extension.



Raise the top safety rail and secure it into position by twisting the latch closed.

Use hand to twist latch to release the rail

IMPORTANT:
Be sure to support safety rail with both hands while moving the rail into their secure positions.

Up and Down Safety Rail Adjustment

1 Does the Safety Rail need adjustment?

For proper operation the pin should be centered in the strike. If not centered, follow the following steps to center the pin in the strike.

2 Remove Strike from Bed Post.

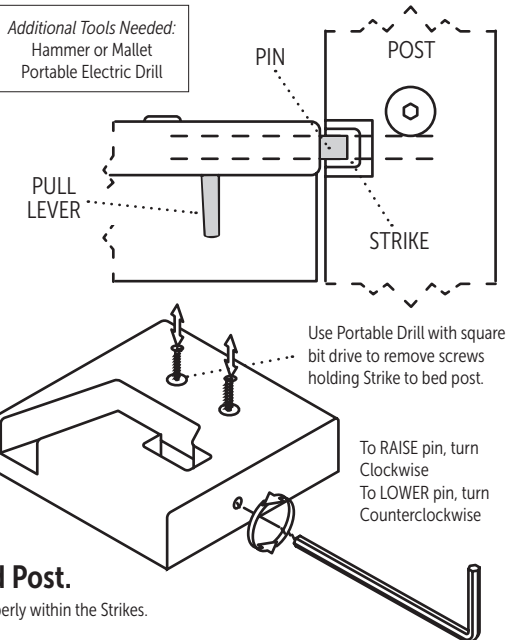
Use Drill with square bit drive to remove screws from the Strike. Gently tap the strike out of the bed post with hammer or mallet to access.

3 Adjust Set Screw.

Use 3/32" Allen wrench to adjust set screw. Keep in mind which direction that you need to adjust the pin. If the pin needs to be raised, turn the set screw clockwise. If the pin needs to be lowered, turn the set screw counter-clockwise.

4 Reinsert Strike into Bed Post.

Check to see if the pins are centered properly within the Strikes.



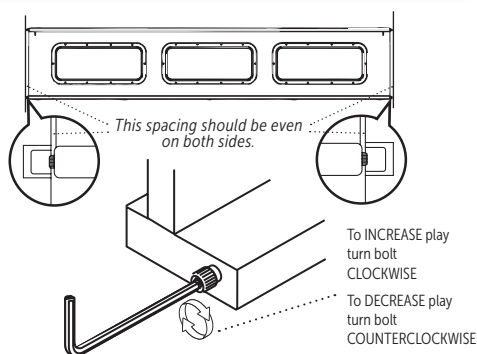
Side by Side Safety Rail Adjustment

1 Does the Safety Rail need adjustment?

When up and secure, check the spacing between the end of the safety rail and the headboard and footboard legs. They should be spaced evenly.

2 Remove Safety Rail and adjust the play.

If spacing is not even, or if there is too much side-to-side play in the rail, turn the black hex bolt using the 1/4" Allen Wrench provided.



SleepSafeBed.com

SLEEPSAFE II EXTENSION



1-866-852-2337

3629 Reed Creek Dr. | Bassett, VA 24055

Durable Medical Equipment Provider

Bed Serial # _____

Installation Date _____

DME Provider _____

DME Contact _____

DME Address _____

DME Phone _____

DME Email _____

Installed by _____

Customer Service & Technical Support

SleepSafe Bed Support

Hours: 8 AM to 5 PM / M-F / EST

Toll Free: 866.852.2337

Local: 276.627.0088

Fax: 276.627.0234

Web: SleepSafeBed.com

*In case of an EMERGENCY after hours,
please call 866-852-2337 for instructions
on how to access the on-call help desk.*

DME Provider Support

DME: _____

Contact: _____

Phone: _____

Email: _____

Web: _____