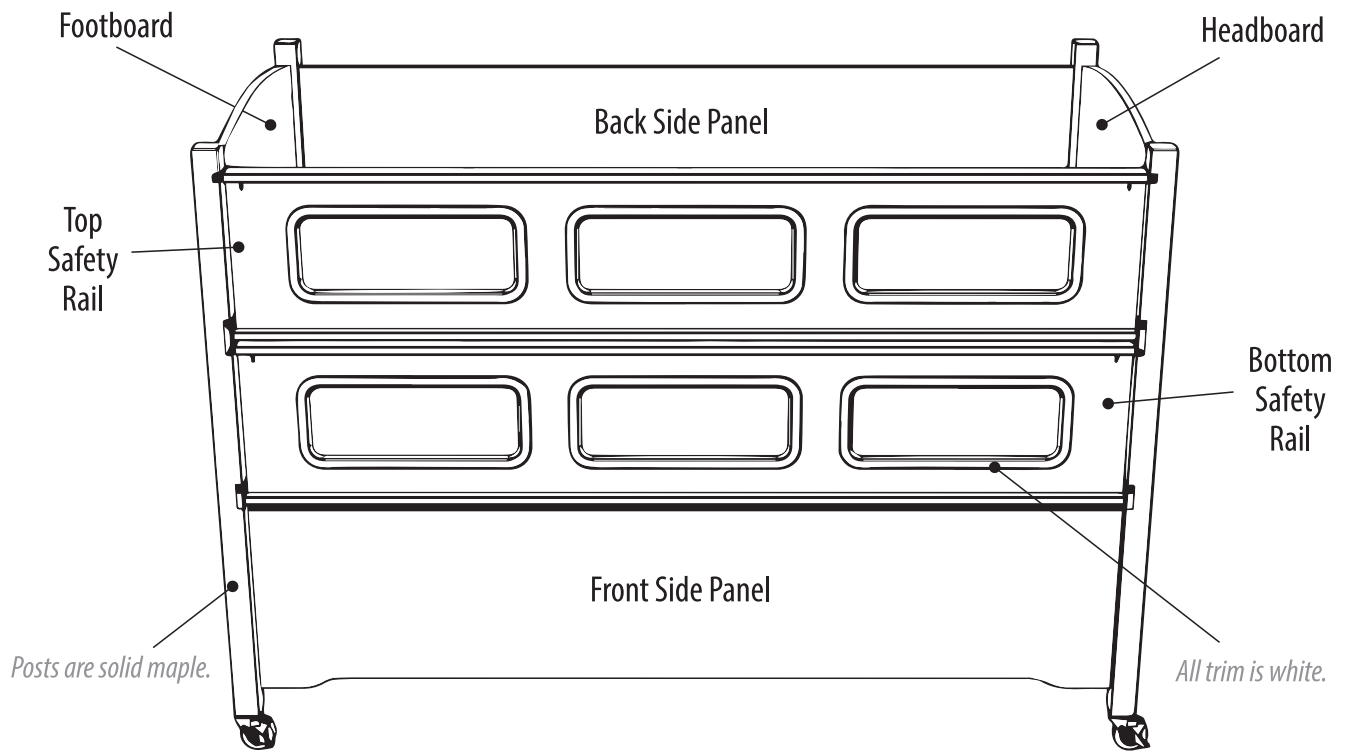
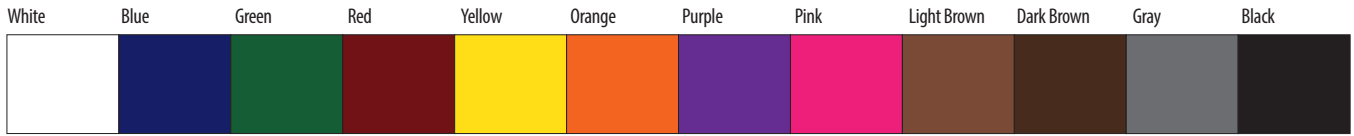


Color Selection Form - SleepSafer® (Tall Bed)

Directions: Use the below diagram to choose the colors for your SleepSafer® (Tall Bed) components using the below color choices. Then write your choices in the form below.



HEADBOARD _____

FOOTBOARD _____

TOP SAFETY RAIL _____ (DV)

BOTTOM SAFETY RAIL _____ (DV)

FRONT SIDE PANEL _____ (DV)

BACK SIDE PANEL _____ (DV)

SELECT A POST COLOR White Black Maple

SELECT A TRIM COLOR White Black Cream Gray

MARK FOR: _____

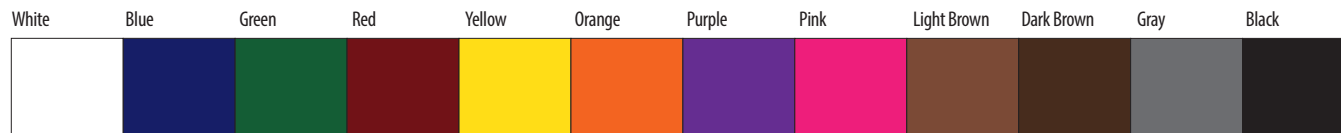
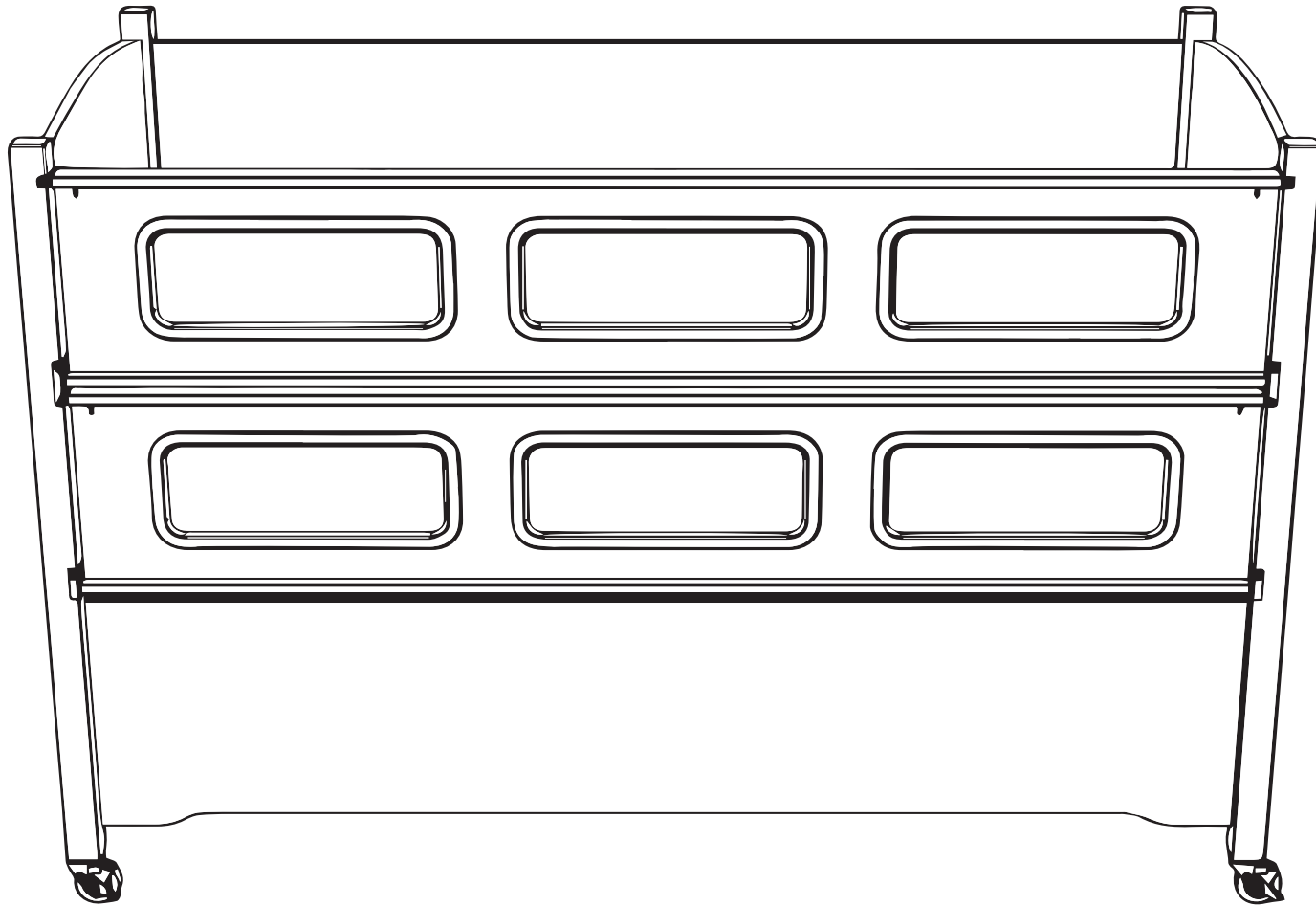


SleepSafeBed.com / 866-852-2337

For Dual View color selections, use the (DV) section of this form. Colors shown above are approximate representations of actual colors.

Color Your SleepSafer[®] (Tall Bed)

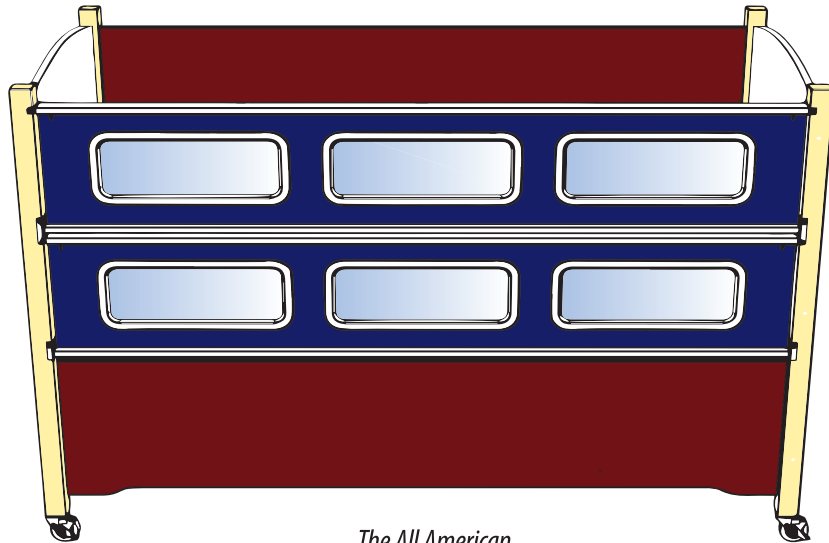
Directions: Use the below diagram and colors shown below to color your SleepSafer (Tall Bed).
Have fun coloring and then write your choices in the Color Selection form.



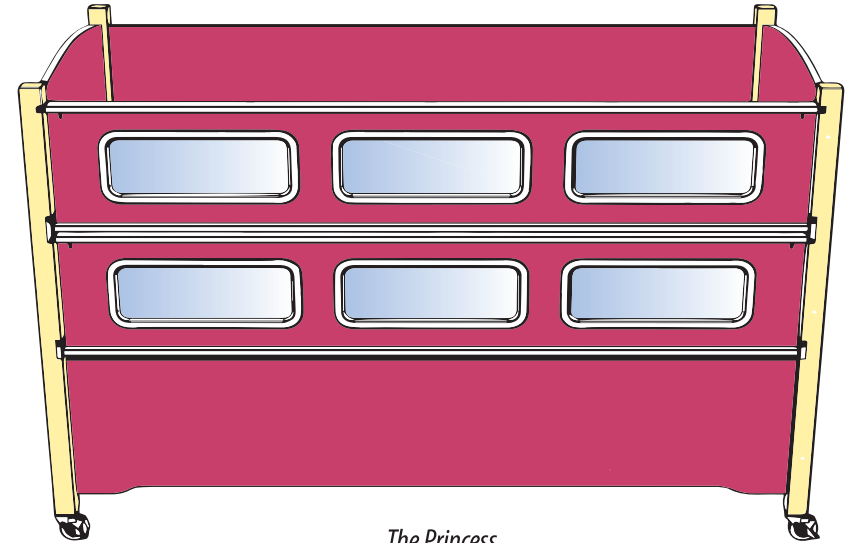
Use these available colors when you color your bed!

Examples of SleepSafe® Bed Color Combinations

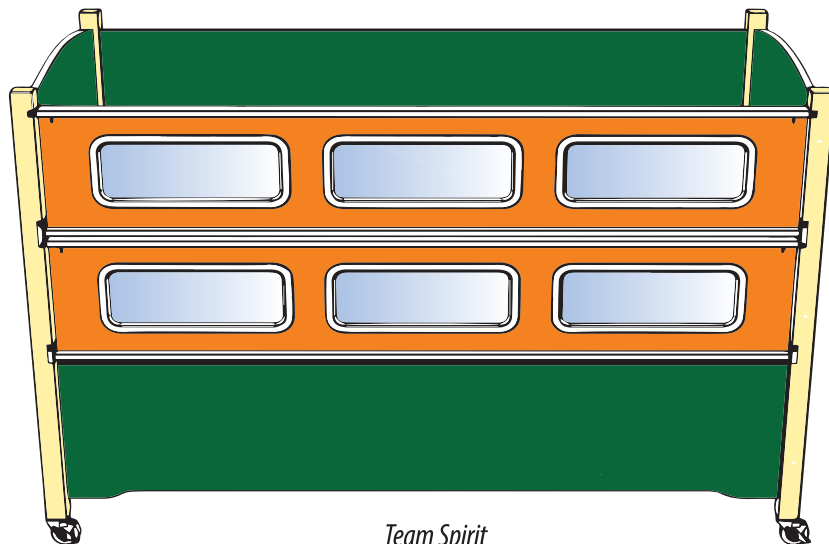
Examples of some popular ways to apply color to your SleepSafer® (Tall Bed).



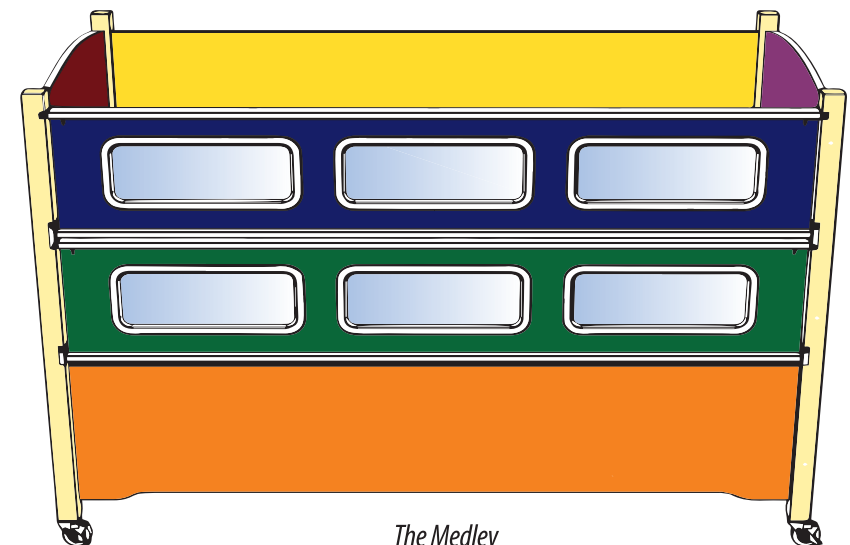
The All American



The Princess



Team Spirit



The Medley